

# RAZOR PENDANT

Razor Core Surface Pendant Emergency Exit, 24m

- Single and double-sided decals
- Pendant exit sign supplied with 3m cable
- Exit sign is powered from pendant cable (no extra wiring)
- 6 years design life at max. ambient
- High Quality Lithium battery (LiFePO4) and smart charger
- Single Point Unit (SPU)
- Fully compliant (AS/NZS 2293)



ORDERING INFORMATION	
Order code	15353
Description	Ektor Slimblade Core Surface Pendant Exit light 24M
Driver Type	Fixed output
Item Code	EV-RAZOR-SP-CORE-24M

MECHANICAL	
Adjustability	Fixed
Body Material	Polycarbonate
Diffuser Material	PMMA
Fitting Colour	White
Installation Type	Suspended
IP Rating	IP20

ELECTRICAL	
Electrical Rating	Class II
Input Frequency	50 Hz
Input voltage	230Vac
Maximum Wattage	2.6 W
Standby Power	2.3 W

In Australia the Input voltage is defined as 230Vac -6%/+10%. This effectively means that the voltage range of these products are 216Vac - 253Vac or 240V +6%

Standby power for non-maintained/switched maintained emergency devices is measured when the light is off and the charger is in standby mode. For maintained emergency devices, standby power is measured when the light is on and the charger is in standby mode. Typically, charging occurs for the first 16 hours after the device is powered or after a battery discharge.

Working Temp Range	0 to 40 °C
--------------------	------------

DRIVER	
Dimmable	No
Driver Included	Yes
Integrated Driver	Yes
Driver Type	Fixed output
Wiring Type	Re-wireable terminal block (2 pin)

EMERGENCY (EM SUFFIX)	
Replacement Battery Code	13972
Emergency Classification	C0:D5, C90:E3.2
Decal Size	300 x 150 mm
Emergency Duration	90 mins
Emergency Light Source Life	72Y/07M
Emergency Mode	Maintained
Emergency Output Power	1000 mW
Viewing Distance	24 m

AS2293.3-2018 Projection of Light source life for LED Exit signs (appendix E) Defines the projected time until the surface luminance falls below the minimum required surface luminance for an exit sign.

## COMPLIANCE

**Product Design Life** 6 years

The product design life relates to the total product life which includes LEDs, drivers and the enclosure. This is different to the LED lifetime which only refers to the economical lifetime of the LEDs at which time the lumen output has dropped below the L Value. The product design life is calculated at the maximum ambient or working temperature of the product and takes into account the Daily Use.

**Standards** AS/NZS 60598.1  
AS 60598.2.22  
AS/NZS 61347.1  
AS/NZS 61347.2.13  
AS CISPR 15  
AS/NZS 2293.3

## WARRANTY

**Commercial Use Warranty** 5 RTB (Total 5 Years)

## DIMENSIONS

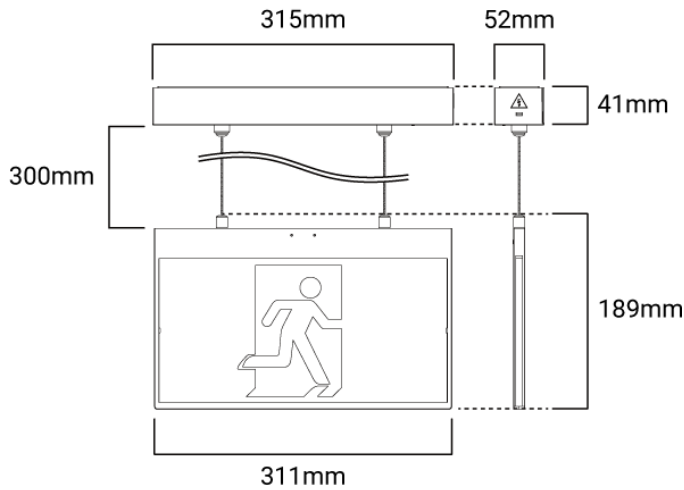
**Product Height** 190 mm

**Product Length** 315 mm

**Product Width** 12 mm

## LINE DRAWINGS

EV/RAZOR/SP/CORE/24M



## ACCESSORIES

**Order code** 02987

**Description** Razor 24M decal pack to suit SKU# 02686 & BOXIT-SLIM SKU #15053

**Item Code** EV-RAZOR-24M-DP

**Order code** 15196

**Description** Wall Bracket to suit EV-RAZOR-SM-CORE - White

**Item Code** EV-RAZOR-SM-CORE-WB