

# ROBUS®

## EMERGENCY

### VIVA EXIT BOX MANUAL TEST 4W, IP20



## PRODUCT INFORMATION DOCUMENT

### CONSTRUCTION

- Polycarbonate Housing
- LiFePO<sub>4</sub> battery

### FEATURES

- Utilising the latest LiFePO<sub>4</sub> battery technology means that this great new fitting is fast charge for shorter commissioning time and is slow to discharge when not connected to mains
- Maintained fitting
- Equipped with large terminals for fast and simple connection
- Complies with AS/NZS 2293.3 for Emergency signage
- Viewing distance of 24m



WARRANTY



BATTERY  
WARRANTY



LiFePO<sub>4</sub>  
BATTERY



MANUAL  
TESTING



50,000  
HRS  
LIFETIME



IP  
20  
IP RATING



300°  
BEAM ANGLE



6500K  
CCT



OP  
220  
240  
OPERATING  
VOLTAGE

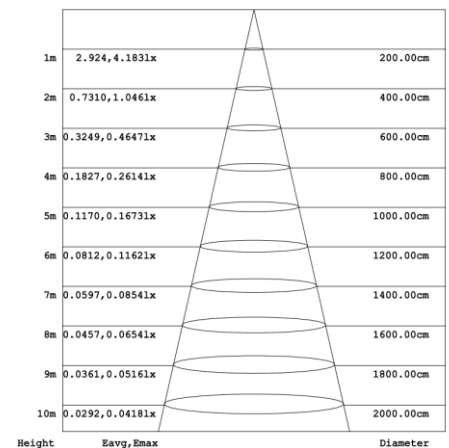
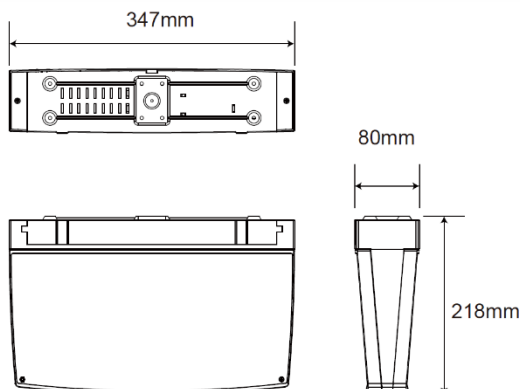


SAFETY  
CLASS

	R4EMLEDMT-01
Comparable to:	8W T5 fluorescent
Total Power (W):	2.7
Total Light Output (lm):	50
Total Emergency Light Output (lm):	40
Efficacy (lm/cctW):	NA
Lux at 1m (lux):	4
Emergency Lux at 1m (lux):	3
CCT (K):	6500
CRI:	80
IP:	20
Operation Temperature (°C):	0 ≤ Ta ≤ +40
Inrush Current:	8.6A/ 0.1us
RG Value:	0
L70B50 or the variant:	30000
Dimensions LxWxH	347x80x218
Weight (kg):	1.0

Product is certified to all the relevant standards.

Please contact our technical department for market specific compliances.



PLEASE NOTE: INFORMATION IN THIS DOCUMENT MAY BE SUBJECT TO CHANGE WITHOUT PRIOR NOTICE

Diagram for RMU1420-40. Other diagrams available on request

IRE: TEL: +353 1 709 9000  
UK: TEL: 0800 973 220  
AUS: TEL: +61 7 3890 5444  
NZ: TEL: +64 03 668 5285

WEB: WWW.ROBUS.COM  
WEB: WWW.ROBUS.COM  
WEB: WWW.ROBUS.COM.AU  
WEB: WWW.ROBUSLED.CO.NZ

LED GROUP EUROPE · AUSTRALIA · NEW ZEALAND · ASIA · MIDDLE EAST · AFRICA