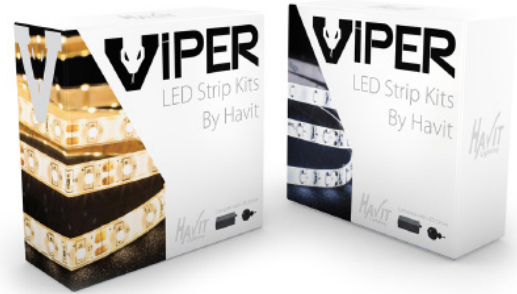


9.6w 24v DC IP54 5M Viper Kits



PRODUCT SPECIFICATIONS

Name	Viper
Wattage Per Metre	9.6w
Colour Temp.	3000K, 4000K, 5500K
CRI:	>80
Beam Angle	120°
IP Rating	IP54
Size	8mm x 3mm
Input Voltage	24v DC
Dimmable	No
LED Chip Type	2835
LED Chips Per Metre	120
Supplied Length	5m
Cutting Increments	Every 50mm
Wiring	Parallel
Warranty	2 Years Replacement



DIMENSIONS

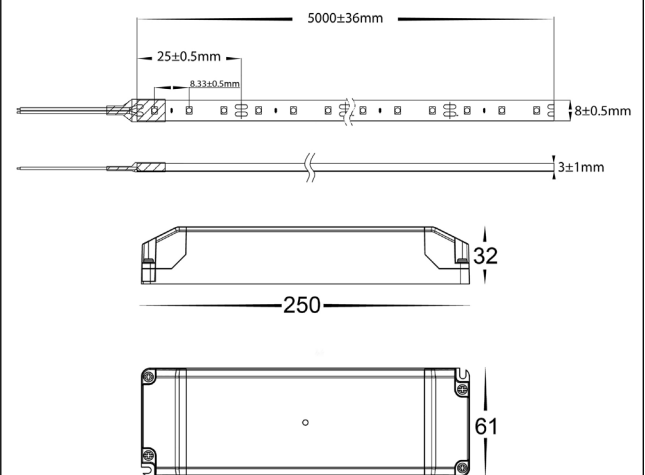


IMAGE	PART NUMBER	COLOUR TEMP	LUMENS PER METRE	INPUT VOLTAGE	INCLUDED IN KIT
	VPR9743IP54-120-5M	3000K	780lm	240v AC (Driver) 24v DC (LED Strip)	5m x 3000K IP54 LED Strip + 1x 60w LED Driver
	VPR9745IP54-120-5M	4000K	820lm	240v AC (Driver) 24v DC (LED Strip)	5m x 4000K IP54 LED Strip + 1x 60w LED Driver
	VPR9744IP54-120-5M	5500K	860lm	240v AC (Driver) 24v DC (LED Strip)	5m x 5500K IP54 LED Strip + 1x 60w LED Driver

For More Information Contact Havit Lighting

143 Beauchamp Road
Matraville NSW 2036
Australia

Tel: 02 9381 83000
Fax: 02 9666 888
Email: sales@havit.com.au
Web: www.havit.com.au



Warranty Terms & Conditions



Additional Information