

STAX^{ECO}

The STAX ECO is the next generation in our versatile and efficient LED floodlight range. With a range of power from 20W to 200W it is excellent for a wide number of applications. It also has optional corner mount brackets and PIR motion sensor for added security on specific models.



Product Code	STAX20W4K	STAX30W4K	STAX100W4K	STAX150W4K	STAX200W4K
SAP Code	2002128	2002129	2002132	2002133	2002134

KEY INFORMATION

Watts	20W	30W	100W	150W	200W
Input Power	20W	30W	100W	150W	200W
Lumen Output (p/metre)	2075lm	2830lm	9600lm	15560lm	19560lm
Install	Surface Mount				
Dimming Options	Non-Dimmable				
Fitting Colour	Matte Black				
Warranty	3 years				
IP Rating	IP66				
IK Rating	IK08				
IC Rating	N/A				
Rebate Scheme Approval	IPART LCP 18.8	IPART LCP 26.5	IPART LCP 103.8	IPART LCP 155.5	IPART LCP 203.5

PHOTOMETRIC

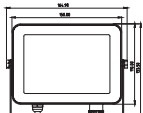
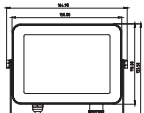
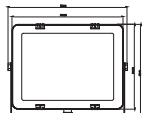









Efficacy	104lm/W	94lm/W	96lm/W	104lm/W	98lm/W
LED	SMD				
CCT	4000K				
Beam Angle	110°				

ELECTRICAL

Driver	Integral (DOB)				
Supply Input	220-240Va.c. 50/60Hz				
Driver Output Voltage	-				
Power Factor	>0.9				
LED Input Current (nominal)	-				
Useful life @Ta25° (L70)	-				

CONSTRUCTION

SDCM	<5				
Housing	Die-cast Aluminum				
Optics	Glass Lens				
Adjustable Angle	N/A				
Fixings/Hardware	Mounting bracket				
Connection Type	0.6m Flex	0.6m Flex	1m Flex	1m Flex	1m Flex
Total Weight	0.6kg	0.6kg	1.8kg	2.4kg	2.8kg
Dimensions	150x110x19mm	150x110x19mm	270x207x40mm	310x257x40mm	350x287x40mm
Operating Ambient Temp.	-20 to 45°C		-20 to 45°C		-20 to 45°C
Electrical Classification	Class 1		Class 1		Class 1

Diagrams					
Accessories	 STAX-SENSOR  STAX90D-BRKT-S	 STAX-SENSOR  STAX90D-BRKT-S	 STAX90D-BRKT-L	 STAX90D-BRKT-L	 STAX90D-BRKT-L