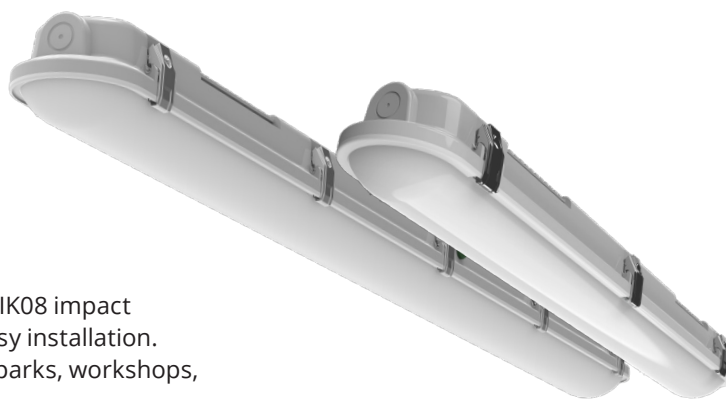


# DURA



The DURA LED batten features IP65 ingress protection, IK08 impact resistance rating and a unique foldable structure for easy installation. It is ideal for use in utility-type applications such as car parks, workshops, storerooms and back of house areas.

Product Code	DURA-06	DURA-06-EM	DURA-06-MS	DURA-06-EM-MS	DURA-12	DURA-12-EM	DURA-12-MS	DURA-12-EM-MS
SAP Code	2002138	2002139	2002140	2002141	2002142	2002143	2002144	2002145

## KEY INFORMATION

Watts	18W				36W			
Input Power	10W / 13W / 15W / 18W				18W / 25W / 30W / 36W			
Lumen Output	1387lm / 1693lm / 1953lm / 2155lm (4000K) 1431lm / 1768lm / 2050lm / 2356lm (4500K) 1386lm / 1671lm / 1921lm / 2177lm (5000K)				2425lm / 3089lm / 3706lm / 4318lm (4000K) 2474lm / 3242lm / 3917lm / 4627lm (4500K) 2474lm / 3083lm / 3726lm / 4367lm (5000K)			
Install	Surface Mount, Suspended				Surface Mount, Suspended			
Dimming Options	Non-Dimmable				Non-Dimmable			
Fitting Colour	Grey				Grey			
Warranty	5yr				5yr			
IP Rating	IP65				IP65			
IK Rating	IK08				IK08			
IC Rating	N/A				N/A			
Emergency Classification	-	C0: D40, C90: D25	-	C0: D40, C90: D25	-	C0: D100, C90: D63	-	C0: D100, C90: D63
Rebate Scheme Approval	IPART; VEU (approval pending)							

## PHOTOMETRIC

Efficacy	139lm / 130lm / 130lm / 120lm (4000K) 143lm / 136lm / 137lm / 131lm (4500K) 139lm / 129lm / 128lm / 121lm (5000K)				135lm / 124lm / 124lm / 120lm (4000K) 137lm / 130lm / 131lm / 129lm (4500K) 137lm / 123lm / 124lm / 121lm (5000K)			
LED	SMD				SMD			
CCT	4000K / 4500K / 5000K				4000K / 4500K / 5000K			
Beam Angle	120°				120°			

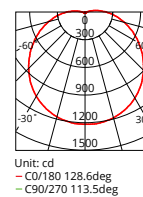
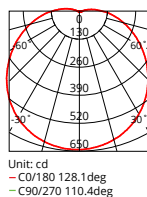
## ELECTRICAL

Driver	Integral				Integral			
Supply Input	220-240Va.c. 50/60Hz				220-240Va.c. 50/60Hz			
Driver Output Voltage	30-57VDC				57-108VDC			
Power Factor	>0.9				>0.9			
LED Input Current (nominal)	200/250/300/350mA				175/240/290/350mA			
Useful life @Ta25° (L70)	50,000hr				50,000hr			

## CONSTRUCTION

Housing	PC				PC			
Optics	Polycarbonate Diffuser				Polycarbonate Diffuser			
Adjustable Angle	N/A				N/A			
Fixings/Hardware	Mounting Clips, Cable gland, Suspension bracket				Mounting Clips, Cable gland, Suspension bracket			
Connection Type	PA14 Terminals				PA14 Terminals			
Total Weight	0.96kg	1.05kg	0.98kg	1.07kg	1.68kg	2.0kg	1.7kg	2.02kg
Dimensions	655 x 102 x 75mm				1220 x 102 x 75mm			
Operating Ambient Temp.	-10 to 40°C	0 to 40°C	-10 to 40°C	0 to 40°C	-10 to 40°C	0 to 40°C	-10 to 40°C	0 to 40°C
Electrical Classification	Class 1				Class 1			

Photometrics



Diagrams

