

**OWPIROD
OWPIRODBK
OWPIRODLO
OWPIRODLOBK**



Cleaning Guide:

Spraying cleaning products on to electrical products is not recommended. It is important to ensure that switches are turned off before cleaning. Do not use any cleaning sprays - only wipe down with damp cloth or rub with dry cloth. (Do not use an abrasive cloth as it may scratch the plastic). Do not use harsh chemical cleaners as these can break down the plastic and cause it to crack.



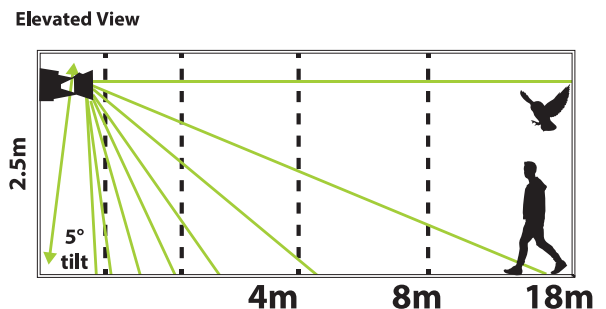
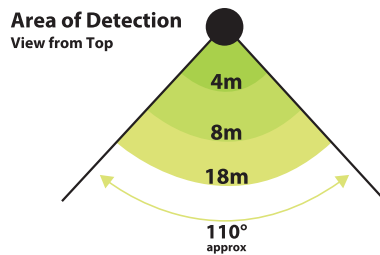
Arctic Owl Outdoor Infrared Sensor

- Sensor uses Passive Infrared technology
- OWPIROD models can be manually overridden with built-in override function.
- OWPIRODLO models can be overridden with separate override switches.
- 110° detection up to 18 metres
- Suitable for installing on walls and ceiling both interior and exterior
- Fits standard mounting blocks using 84mm centres (example: HYSMB2025)
- 3 wire design (Active, Neutral, Sensor load) for greater reliability
- Relay in circuit allows for loads up to 2400W (incandescent)
- Easy mounting and adjustment
- Easy sensing, light level and on time adjustment
- LED compatible
- IP66 Rating
- Minimum load <10W
- Must be installed by a licenced electrician
- Screw caps included
- Colours available: Beige or Black

Product Specification

Voltage	220-240V/AC
Time Duration	5 seconds to 10 minutes (time button is adjustable)
Time Delay	Minimum: 5 -10 seconds on initial power up at installation
Detection Method	Passive Infrared
Detection Angle	Up to 110°
Lux Control Level	<2 LUX
Detection Distance	Up to 18m depending on installation variable
Load	2400W incandescent / 1200W inductive
Power Consumption	0.7W

Catalogue Number	Description
OWPIROD	Passive Infrared Outdoor Sensor IP66 3 Wire Angle 110 degrees 18 metre detection
OWPIRODBK	Passive Infrared Outdoor Sensor IP66 3 Wire Angle 110 degrees 18 metre detection, Black
OWPIRODLO	Passive Infrared Outdoor Sensor IP66 3 Wire Angle 110 degrees 18 metre detection, Less Override
OWPIRODBKLO	Passive Infrared Outdoor Sensor IP66 3 Wire Angle 110 degrees 18 metre detection, Black, Less Override



Certification Number:
EESS-180273-3

GSM Electrical (Australia) Pty Ltd
Level 2, 142-144 Fullarton Road, Rose Park SA 5067
P: 1300 301 838 F: 1300 301 778 E: service@gsme.com.au
www.gsme.com.au



OWPIR360 OWPIR360BK



Cleaning Guide:

Spraying cleaning products on to electrical products is not recommended. It is important to ensure that switches are turned off before cleaning.

Do not use any cleaning sprays - only wipe down with damp cloth or rub with dry cloth. (Do not use an abrasive cloth as it may scratch the plastic).

Do not use harsh chemical cleaners as these can break down the plastic and cause it to crack.

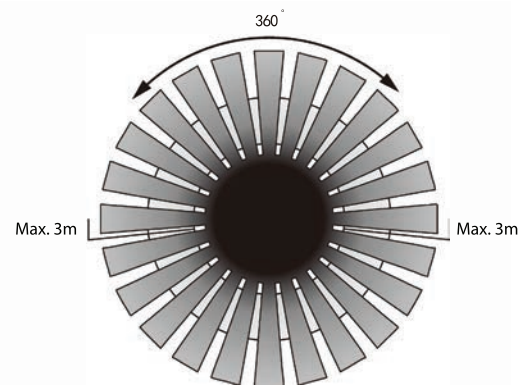
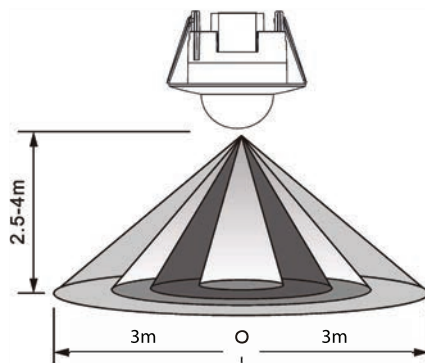


Arctic Owl Infrared Motion Sensor Indoor 360°

- Sensor uses Passive Infrared Technology.
- Manual override.
- 360 degree detection with range of 3m radius at a height of 2.4m - 4m.
- "ON" time between 10 seconds and 7 minutes - between sensing trigger.
- Suitable for loop in / loop out applications in ceilings.
- Easy mounting and adjustment.
- Parallel connections with multiple fittings.
- Rated Load: 2000W Max and 1000W for fluoro energy saving lamps.
- 63mm cut out.
- Colours available: White or Black.
- Depth into ceiling 32mm.

Specifications

Detection Range:	360°
Detection Distance:	3m max (<24°C)
Time-Delay / 'Switch On' Duration:	Min. 10sec±3sec Max. 7min±2min
Installing Height:	2.2m - 4m
Power Consumption:	<0.9W
Power Sourcing:	220V/AC-240V/AC
Power Frequency:	50/60Hz
Working Temperature:	-20 > +40°C
Ambient Light:	<5-2000LUX (Adjustable)
Rated Load:	2000W (incandescent lamp) 1000W (energy-saving lamp)
Working Humidity:	<93%RH
Detection Motion Speed:	0.6 - 1.5m/s



Catalogue Number	Description
OWPIR360	Infrared Motion Sensor, Indoor 360°
OWPIR360BK	Infrared Motion Sensor, Indoor 360°, Black

Certification Number:
GMA-508473

GSM Electrical (Australia) Pty Ltd
Level 2, 142-144 Fullarton Road, Rose Park SA 5067
P: 1300 301 838 F: 1300 301 778 E: service@gsme.com.au
www.gsme.com.au



Data Specification Sheet
February 2021

OWPIR360S OWPIR360SBK



Cleaning Guide:

Spraying cleaning products on to electrical products is not recommended. It is important to ensure that switches are turned off before cleaning. Do not use any cleaning sprays - only wipe down with damp cloth or rub with dry cloth. (Do not use an abrasive cloth as it may scratch the plastic). Do not use harsh chemical cleaners as these can break down the plastic and cause it to crack.

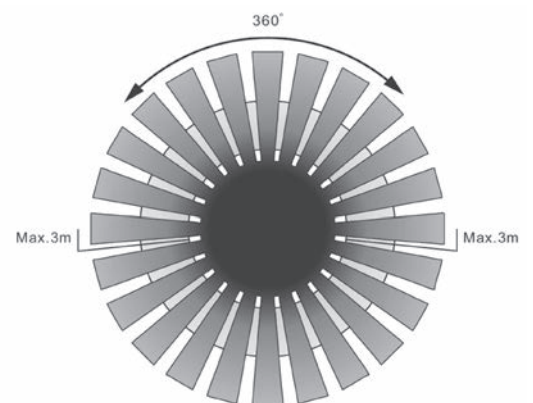
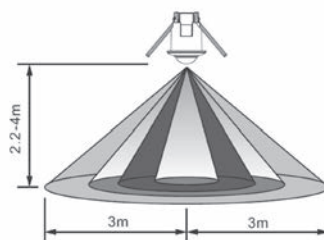


Arctic Owl Infrared Motion Sensor Indoor 360° Small

- Sensor uses Passive Infrared Technology.
- Manual override for greater convenience.
- 360 degree detection with range of 3m radius at a height of 2.4m - 4m.
- "ON" time between 10 seconds and 7 minutes - between sensing trigger.
- Suitable for loop in / loop out applications in ceilings.
- Easy mounting and adjustment.
- Parallel connections with multiple fittings.
- Rated Load: 800W Max and 400W for fluoro energy saving lamps.
- 40mm cut out.
- Colours available: White or Black.
- Depth into ceiling 36mm.

Specifications

Detection Range:	360°
Detection Distance:	3m radius max (<24°C)
Time-Delay / 'Switch On' Duration:	Min. 10sec±3sec Max. 7min±2min
Installing Height:	2.2m - 4m
Power Consumption:	<0.9W
Power Sourcing:	220V/AC-240V/AC
Power Frequency:	50/60Hz
Working Temperature:	-20 > +40°C
Ambient Light:	<10-2000LUX (Adjustable)
Rated Load:	800W (incandescent lamp) 400W (energy-saving lamp)
Working Humidity:	<93%RH
Detection Motion Speed:	0.6 - 1.5m/s



Catalogue Number	Description
OWPIR360S	Infrared Motion Sensor, Indoor 360°, Small
OWPIR360SBK	Infrared Motion Sensor, Indoor 360°, Small, Black

Certification Number:

GMA-508473

GSM Electrical (Australia) Pty Ltd

Level 2, 142-144 Fullarton Road, Rose Park SA 5067
P: 1300 301 838 F: 1300 301 778 E: service@gsme.com.au
www.gsme.com.au



Data Specification Sheet
February 2021