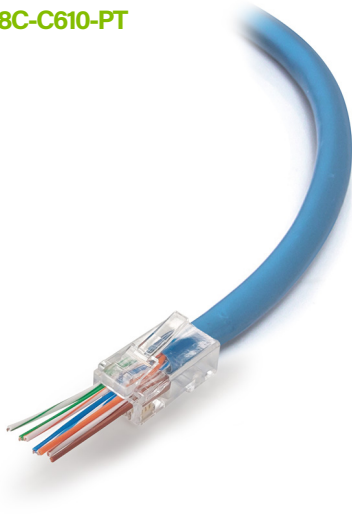


# RJ45 CAT6 PT SERIES MODULAR CRIMP PLUG

23 AWG ~ 24 AWG Wire (Solid / Stranded) - Pack of 10

PART NUMBER: **RJ45-8P8C-C610-PT**



## DESCRIPTION

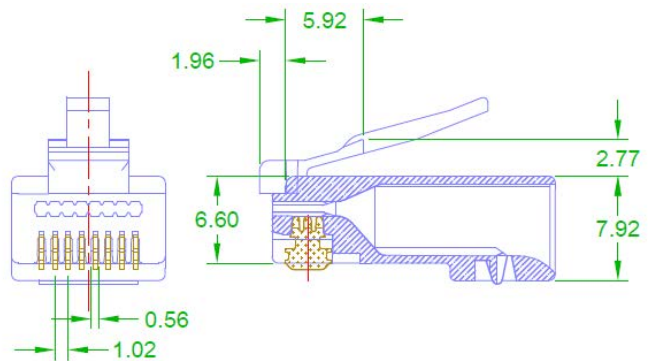
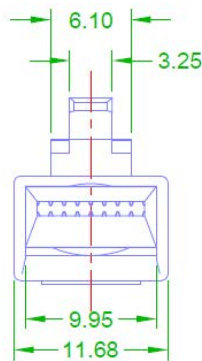
The Serveredge PT Series CAT6 Pass Through RJ45 Crimp Connector simplifies twisted pair terminations by allowing the conductors to be inserted through the plug module and out the front. This allows the technician to easily verify the correct wiring configuration. Electrical performance of the termination is optimized by pulling the connector down over the cable outer jacket and seating it tightly in the rear of the connector. By reducing the distance between the wire twists and contacts, performance is optimized!

## APPLICATION

- For Ethernet Serveredge CAT 6 UTP & CAT 5e UTP
- Provides either T568A or T568B wiring configuration
- ANSI/TIA CAT 6
- Compatible with cable dimensions from 23-24 AWG

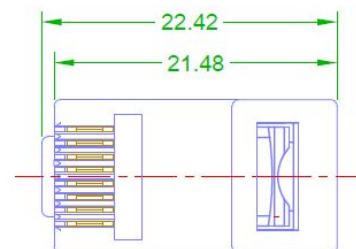
## PRODUCT FEATURES

- CAT 6 UTP PT Series plug
- Compatible with CAT 6 component performance
- A fast and reliable termination helps save labor costs and installation time
- Compatible with both solid and stranded copper cable



## STANDARDS

- UL 1863 safety listed
- Meets all Category 6 specified requirement for ISO/IEC 11801-1



## GUARANTEE/WARRANTY

Serveredge products are manufactured at the highest standards using highest quality materials at an affordable price. This Serveredge product comes with a 2 year warranty standalone or a 25 years warranty as part of a certified structured cabling project. Subject to Serveredge Terms and Conditions\*