

OLD CODE	NEW CODE
	BUBB1GS
BUBB1G32	BUBB1G*
BUBB2G32	BUBB2G*
	BUBB2GS
	BUBB3G
	BUBB4G
	BUBB6G
	BUBBRIDGE

PAGE 1 of 3

*Supersede the BUBB1G32 and BUBB2G32. Note hole entries of the new BUBB1G and BUBB2G have been altered to have 1x32mm and 2x25mm.

Enclosures

- Manufactured in industrial grade resins
- PVC Back Boxes and Conduit Plugs.
- Polycarbonate Lids for High Impact Strength.
- UV Resistance.
- Good level of Chemical Resistance.
- Back Boxes and Junction Boxes supplied with Reducers and Screw Caps.
- Compatible with Buffalo previous & current ranges including:
 - BUL Lids, BUC Combinations, BUSO Sockets, BUSW Switches & BUAI Appliance Inlets.
- Grey colour.
- Back Boxes 1, 2, 3, 4 & 6 Gang
Shallow, Standard & Deep Boxes in 1 & 2 Gang
- Bridges provided on 2, 3, 4 & 6 Gangs, used for cable management and to aid IP rating.
- Ample Conduit Entries & Cut-Outs.
- Installer tip, cover all mounting screws with supplied mounting screw caps & sealant (not supplied), likewise all conduit entries should be tightened & sealed with sealant.



Description	Cat No.	Height (mm)	Width (mm)	Length (mm)	Conduit Entries	Rear Cut-Outs dia.
Enclosure Back Box Shallow 1 Gang	BUBB1GS	37	101	101	2 x 20mm 1 x 25mm	1 x 20mm 1 x 25mm
Enclosure Back Box 1 Gang	BUBB1G	62	101	101	2 x 25mm 1 x 32mm	1 x 32mm
Enclosure Back Box Shallow 2 Gang	BUBB2GS	38	101	198	2 x 20mm 1 x 25mm	2 x 20mm 2 x 25mm
Enclosure Back Box 2 Gang	BUBB2G	63	101	198	2 x 25mm 1 x 32mm	1 x 25mm 1 x 32mm
Enclosure Back Box 3 Gang	BUBB3G	63	101	298	2 x 25mm 1 x 32mm	2 x 25mm 1 x 32mm
Enclosure Back Box 4 Gang	BUBB4G	63	198	198	2 x 25mm 2 x 32mm	2 x 25mm 1 x 32mm 1 x 40mm
Enclosure Back Box 6 Gang	BUBB6G	63	198	298	2 x 25mm 2 x 32mm	2 x 25mm 2 x 32mm 2 x 40mm
Bridge for BUBB Back Box Range	BUBBRIDGE					



NEW CODE

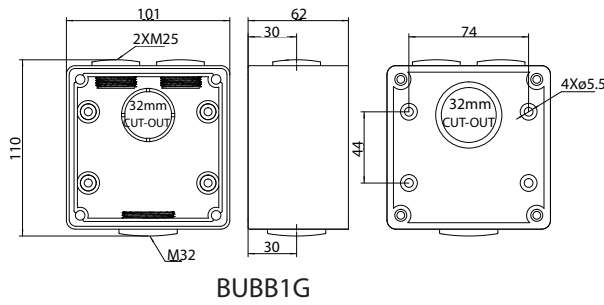
BUBB1GS

BUBB1G

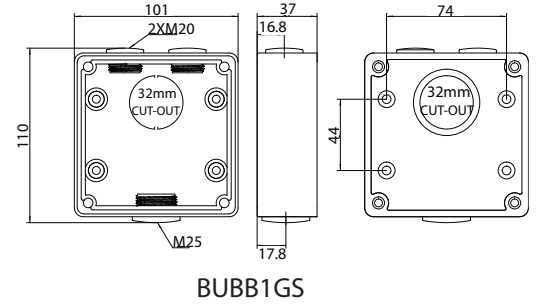
BUBB2G

BUBB2GS

Enclosure Dimensions

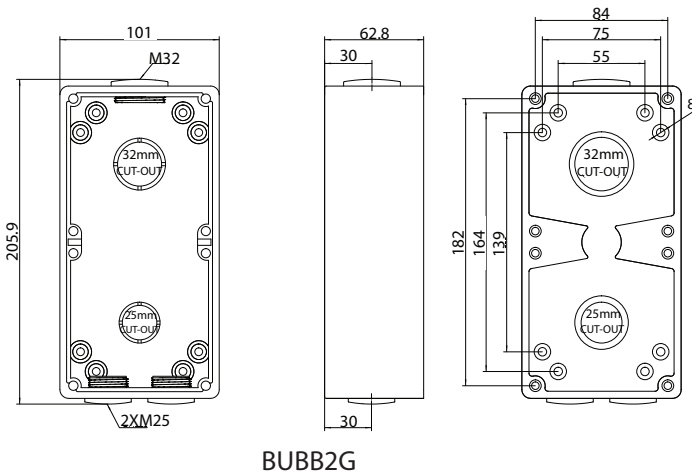


BUBB1G

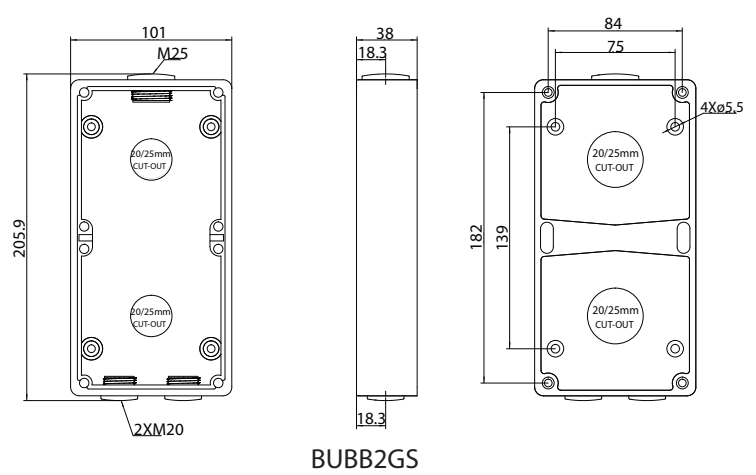


BUBB1GS

PAGE 2 of 3



BUBB2G



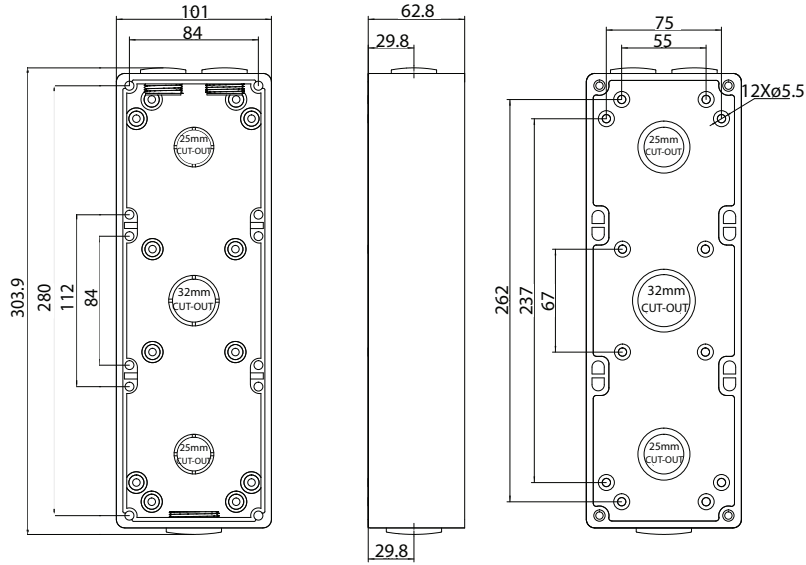
BUBB2GS



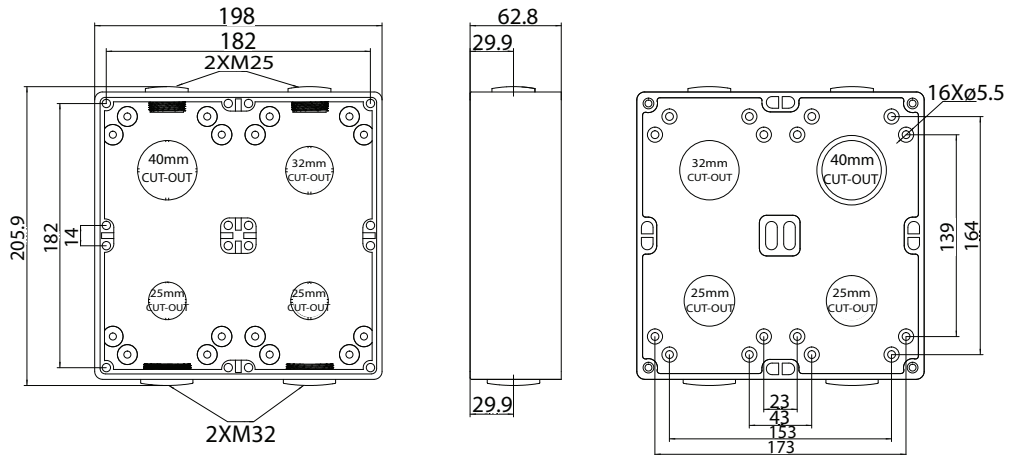
- NEW CODE
- BUBB3G**
- BUBB4G**
- BUBB6G**

Enclosure Dimensions

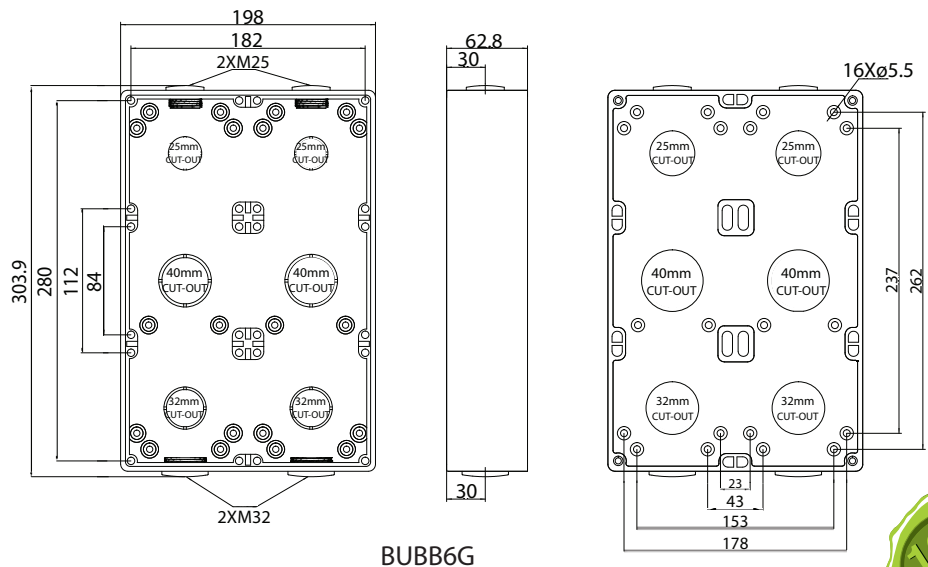
PAGE 3 of 3



BUBB3G



BUBB4G



BUBB6G

