



## STARLIGHT SEN SPSK2000TC - 24W

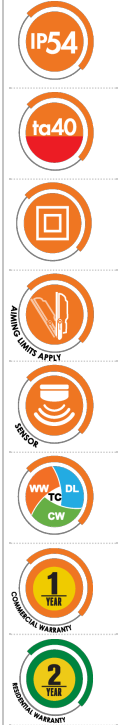
2 x 12 watt IP54 LED floodlight with sensor and selectable colour temperature lamps

### Application

An economical security solution for residential exterior spaces, requiring sensor control

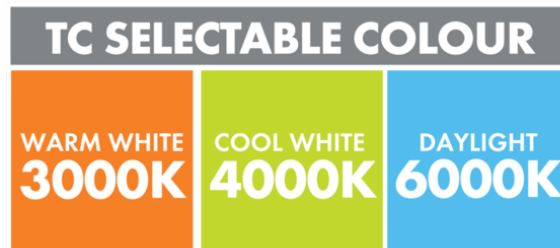
### Design Specifications

- Independently adjustable heads
- UV stabilized plastic body
- E27 lamp base
- PAR38 LED lamps included, selectable colour temperature 3000/4000/6000K, beam distribution 100 degree
- IP54, electrical class II
- Integral infrared motion sensor with override function, installation height 1.5 - 3.5m



### Performance

In Built Sensor - **YES**  
Sensor Type - **IR**



### Technical Specification

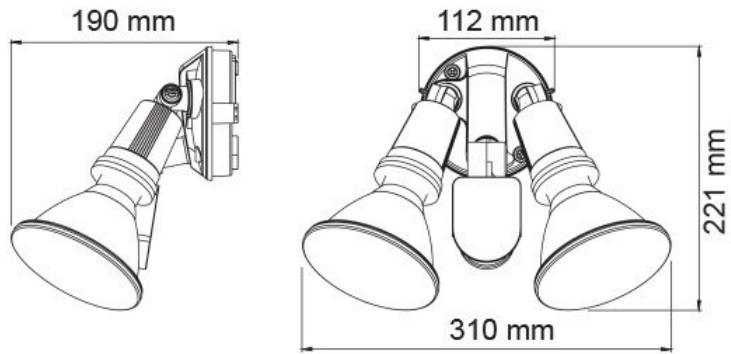
Model No.	Input Voltage (V/AC)	Power (W)	Lumens (lm)	CCT (K)	CRI	Beam Angle (°)
SPSK2000TC	240	24	3000/3400/3000	3000/4000/6000	80	100
Model No.	Body Colour	Dim (mm)				
SPSK2000TC	BLACK	221(L) x 310(W)				

\* Lumens and Power shown are TOTAL luminaire Lumens (lm) and power (W).

Due to continued product and technology enhancements, data sourced from sal.net.au shall not form part of any contract and or technical performance guarantee unless expressly confirmed in writing by SAL at the time of order. Products are sold in accordance with SAL Terms and Conditions of sale and all images shown are for illustration purposes only and may vary from the actual colour or finish. Unless specifically stated, all IP ratings nominated for Interior products are from "below the ceiling".

## Dimensions

**SPSK2000 DL BK**



## POWERSTAR SE7100/600 - 600W



Before selecting a floodlight look out for the marks of Compliance and Safety. Starting with the RCM mark, this signals that the product has been tested to all relevant Australian Safety standards, to ensure the product delivers its designed safety performance.

In addition look out for limits in aiming orientation to ensure the floodlight operates within its design limits and to ensure the product is suitable for such an application.

*Need more information on AS/NZS 60598 safety and compliance?  
Check out the SAL web FAQ's or speak to your local SAL team member.*

For related  
products  
please  
scan me

