

PLEASE NOTE

- This equipment must be installed and maintained by a qualified electrician in accordance with the appropriate statutory regulations and codes of practice.
- All applicable local, regional and national regulations must be complied with during the installation, use, maintenance and replacement of this device.
- This product should not be installed if, when unpacking it, you observe that it is damaged.
- Clipsal cannot be held responsible in the event of noncompliance with the instructions in this document and in the documents to which it refers.
- The service instruction must be observed throughout the life time of this product.

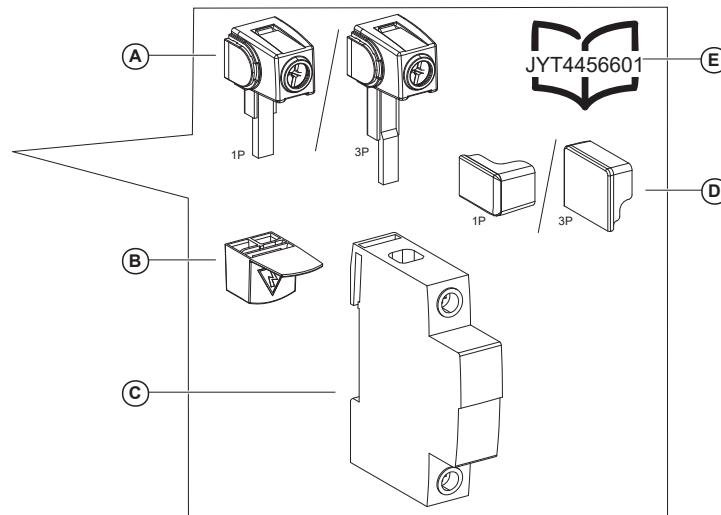
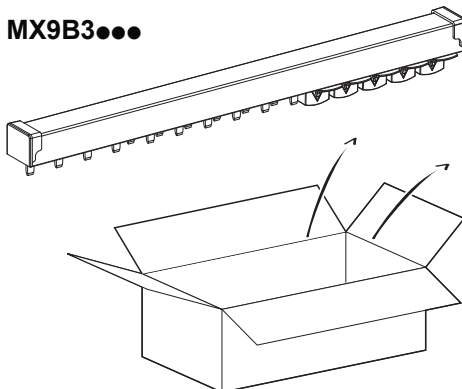
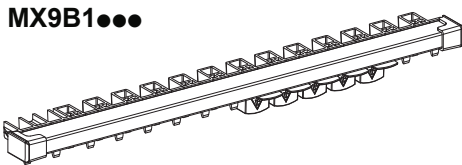
⚡ ⚠ DANGER

HAZARD OF ELECTRIC SHOCK, EXPLOSION OR ARC FLASH

- Turn off all power supplying this product before working on it.
- Use a voltage tester with a suitable rated voltage in order to check that all active conductors aren't energized.
- Carefully inspect the work area to check that no tools or objects could have been left inside the equipment.

Failure to follow these instructions will result in death or serious injury.

1 Unboxing



Commercial Reference Number	Comb Busbar (Number of Ways)	(A)	(B)	(C)	(D)	(E)
		Connector	Tooth Cap	Neutral Block	End Cap	Instruction Sheet
MX9B112N	1 (12 Way)	1	4	1	-	1
MX9B115N	1 (15 Way)	1	5	1	-	1
MX9B121N	1 (21 Way)	1	6	1	2	1
MX9B315N	1 (15 Way)	1	5	1	-	1
MX9B321N	1 (21 Way)	1	6	1	2	1
MX9B112	1 (12 Way)	2	2	-	-	1
MX9B115	1 (15 Way)	2	3	-	-	1
MX9B315	1 (15 Way)	4	3	-	2	1

2 Top Feed Busbar Installation

⚠️ DANGER

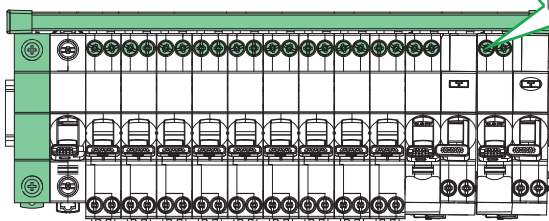
HAZARD OF ELECTRIC SHOCK, EXPLOSION, OR ARC FLASH

- Check that the busbar is fully inserted inside all the protective devices.
 - Tighten all connections to recommended torque settings.
- Failure to follow these instructions will result in death or serious injury.

Single Phase

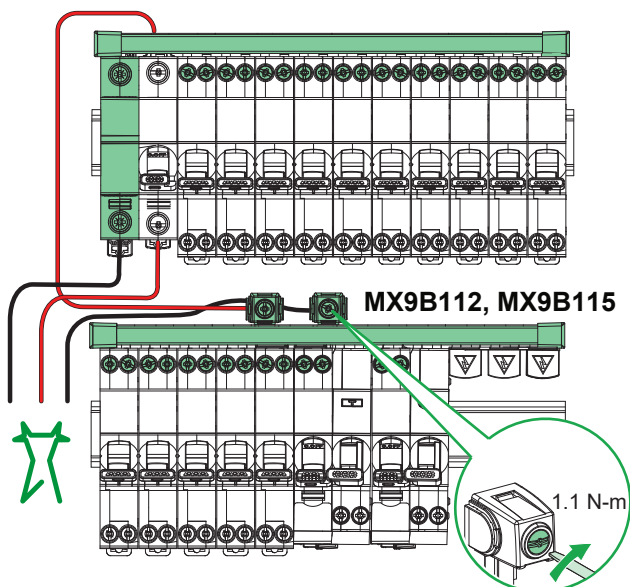
One row:

MX9B112N, MX9B115N, MX9B121N



Multi row:

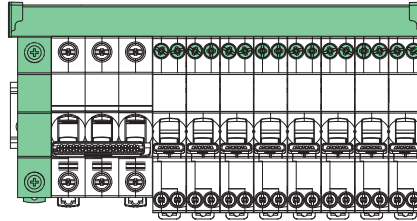
MX9B112N, MX9B115N, MX9B121N



Three Phase

One row:

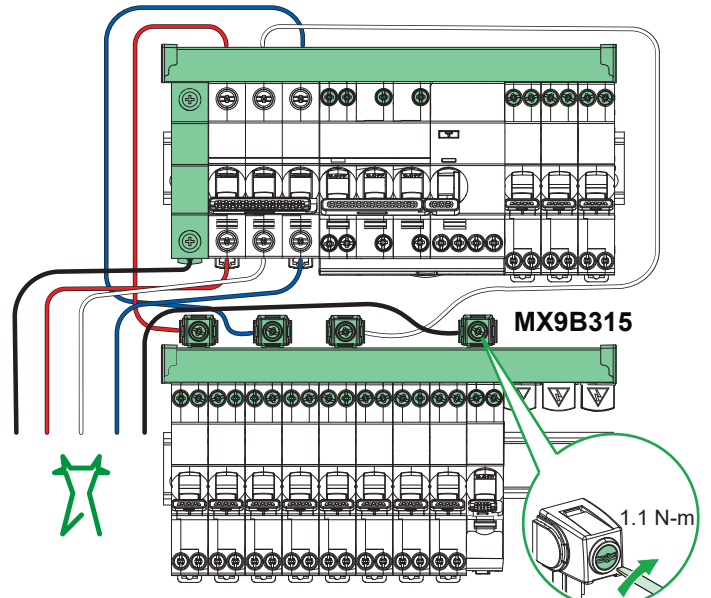
MX9B315N, MX9B321N



Note: For torque value refer to the respective device instruction sheet.

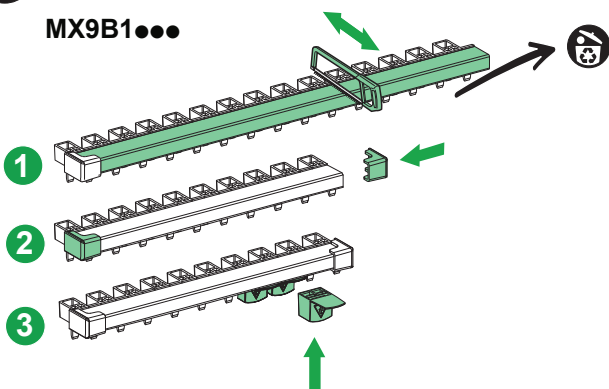
Multi row:

MX9B315N, MX9B321N

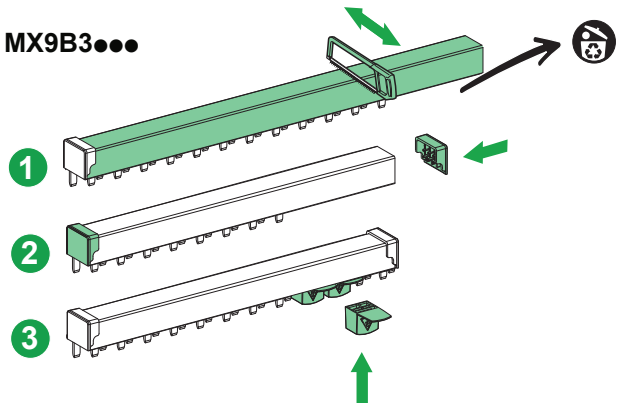


i Cutting, End Cap Installation and Tooth Cap Installation

MX9B1...



MX9B3...



Clipsal by Schneider Electric (Australia) Pty Limited
33-37 Port Wakefield Road
Gepps Cross
South Australia 5094

Customer Care Centre
Tel: 1300 369 233
Email: customer care.au@se.com
Fax: 1300 369 288
www.clipsal.com
JYT4456601

© 2021 Clipsal Australia Pty Ltd - All rights reserved.
The identified trademarks and copyrights are the property of Clipsal Australia Pty Ltd unless otherwise noted.

Life Is On

CLIPSAL
by Schneider Electric