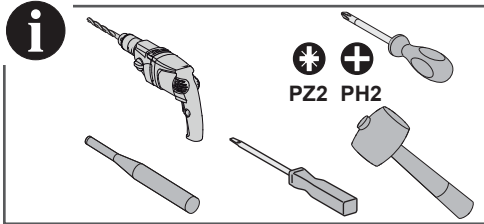


MX9E3•18S

MX9E3•18F

PLEASE NOTE

- This equipment must be installed and maintained by a qualified electrician in accordance with the appropriate statutory regulations and codes of practice.
- All applicable local, regional and national regulations must be complied with during the installation, use, maintenance and replacement of this device.
- This product should not be installed if, when unpacking it, you observe that it is damaged.
- Clipsal cannot be held responsible in the event of noncompliance with the instructions in this document and in the documents to which it refers.
- The service instruction must be observed throughout the life time of this product.



⚡ ⚠ DANGER

HAZARD OF ELECTRIC SHOCK, EXPLOSION OR ARC FLASH

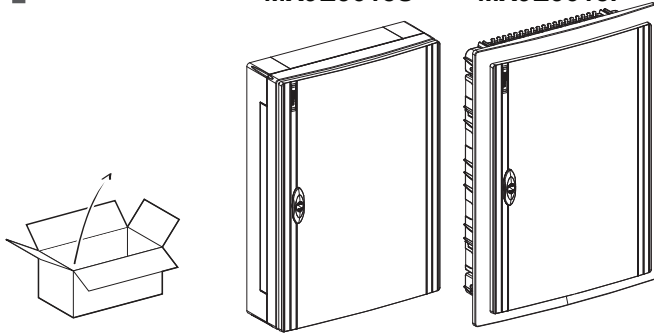
- Turn off all power supplying this product before working on it.
- Use a voltage tester with a suitable rated voltage in order to check that all active conductors aren't energized.
- Carefully inspect the work area to check that no tools or objects could have been left inside the equipment.

Failure to follow these instructions will result in death or serious injury.

1 Unboxing

MX9E3•18S

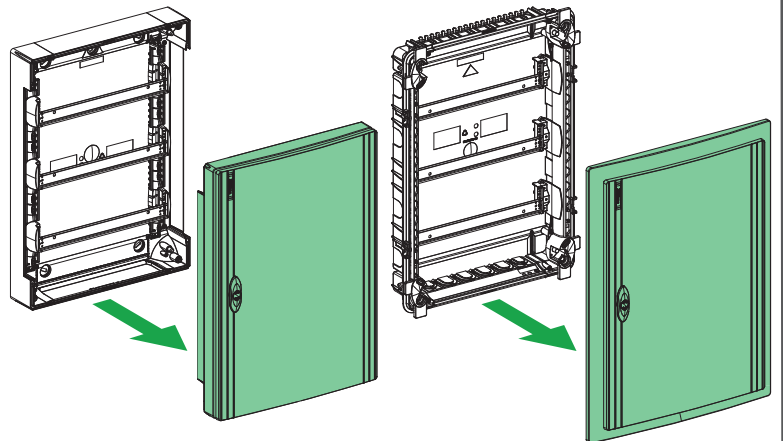
MX9E3•18F



2 Removal of Front Cover

MX9E3•18S

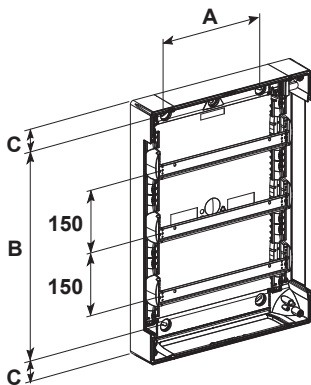
MX9E3•18F



Commercial Reference Number	Instruction Sheet	Green Label	Pole Filler	Flush Mounting Bracket
	 JYT5703201			
MX9E3218S	1	2	4	-
MX9E3318S	1	2	4	-
MX9E3218F	1	2	4	4
MX9E3318F	1	2	4	4

3 Mounting of Enclosures

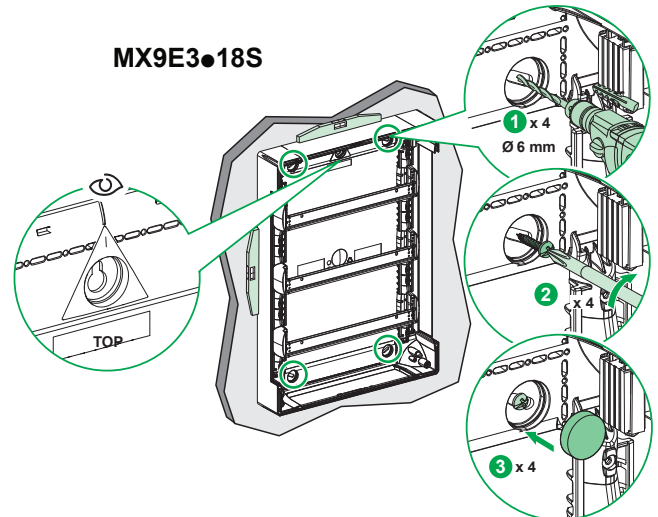
Surface Mount:



	A (mm)	B (mm)
MX9E3218S	250	350
MX9E3318S	250	500

Note: For surface mount mark the points corresponding to the box keyholes and drill holes accordingly.

MX9E3•18S

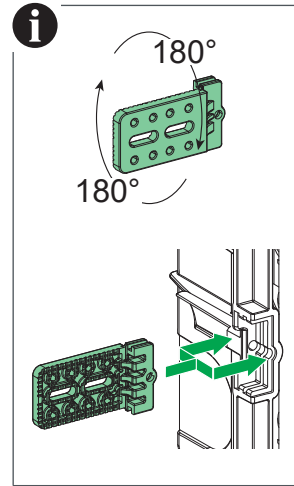
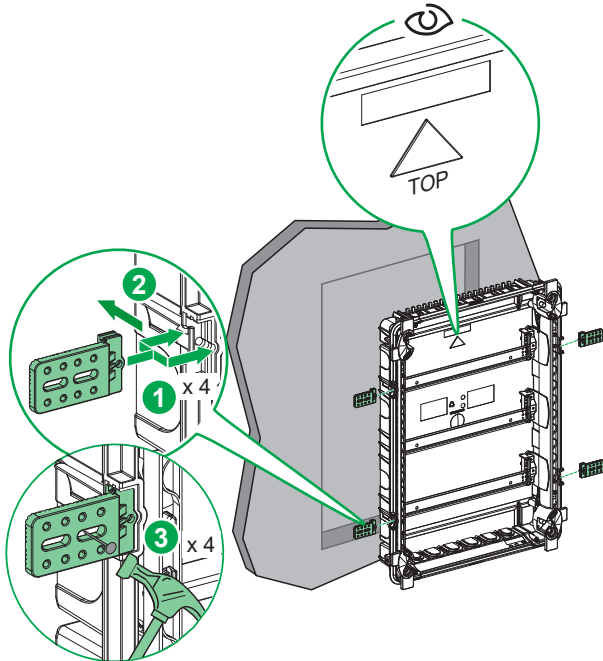
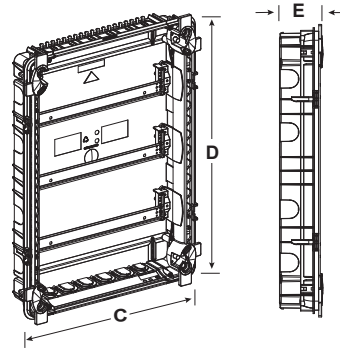


Flush Mount:

	C (mm)	D (mm)	E (mm)
MX9E3218F	456	480	86
MX9E3318F	456	630	86

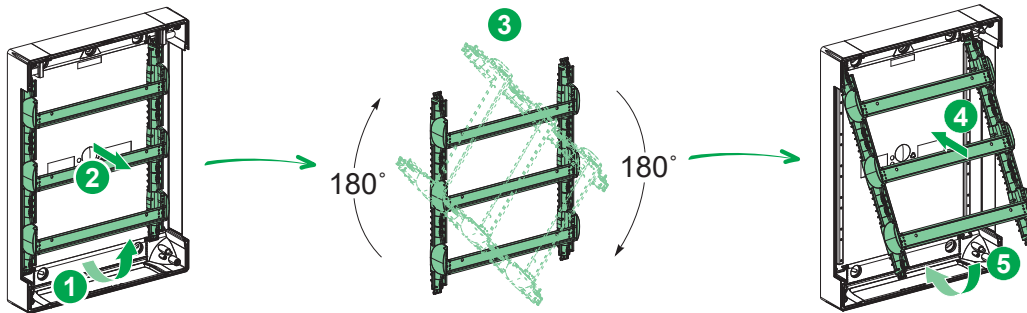
Note: For flush mount fix the box in the wall cavity with the outer edges projecting out the wall's surface (marking provided).

MX9E3●18F



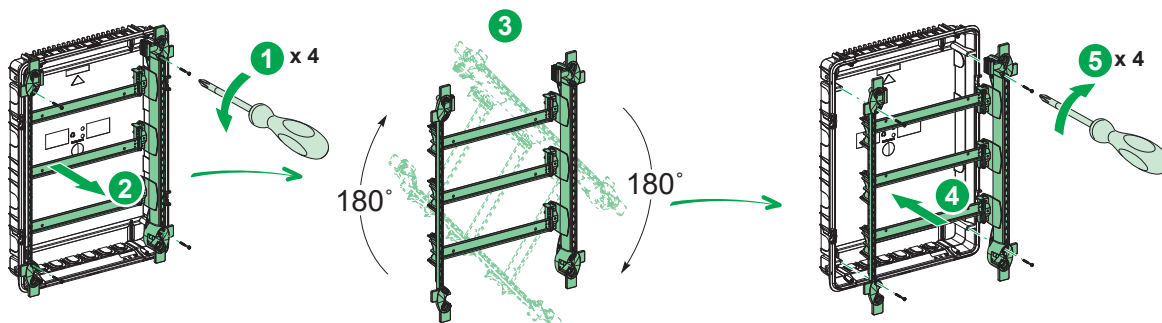
i Option of Removable DIN Assembly During Installation

MX9E3●18S



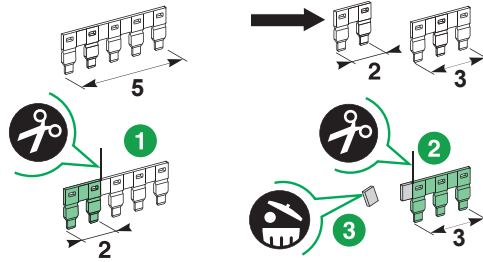
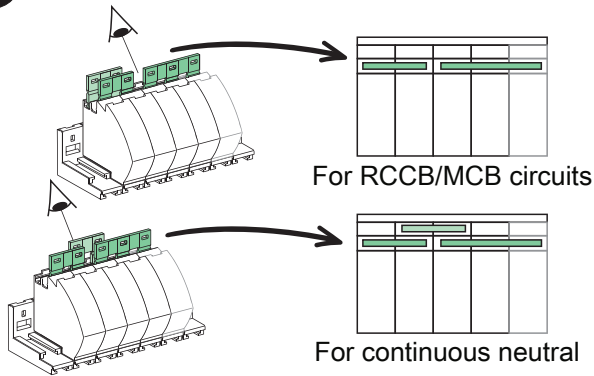
Reversible Assembly

MX9E3●18F



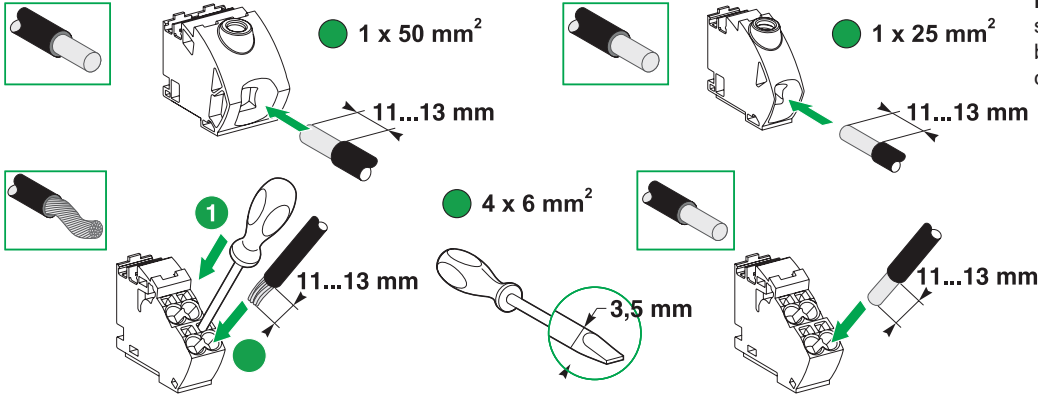


Customize Neutral Terminal Bar



Note: Cut as per the requirement.

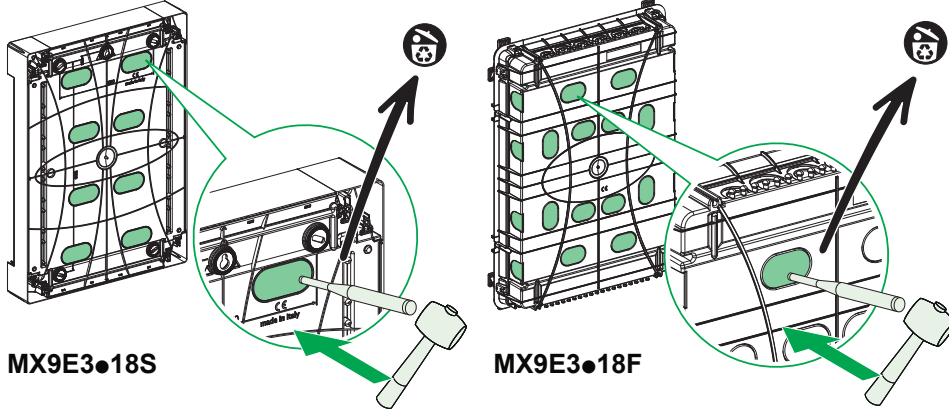
Note: Neutral terminal bar provided is suitable for RCBO/AFDD circuits. It can be easily customised for RCCB/MCB split circuits with given instructions.



Cable Entry Knockouts

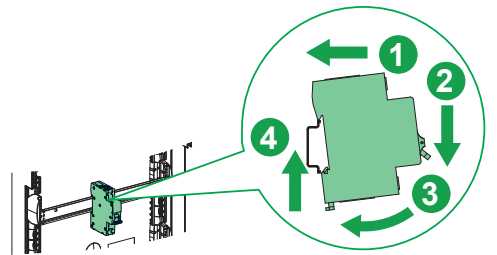
PLEASE NOTE

- Remove the minimum number of knockouts required for the incoming and outgoing cables to pass through easily.
- IP rating shall be maintained, suitable cable protection shall be applied with appropriate conduit.



4

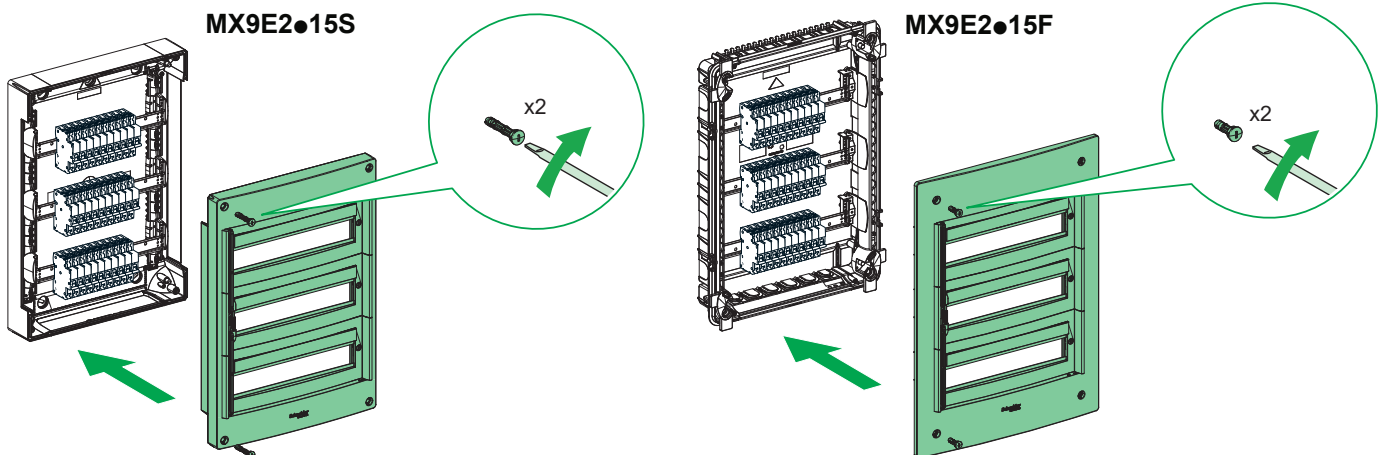
DIN Mounting of Devices



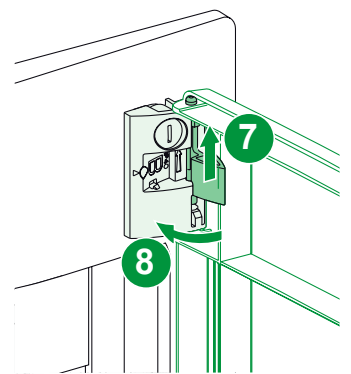
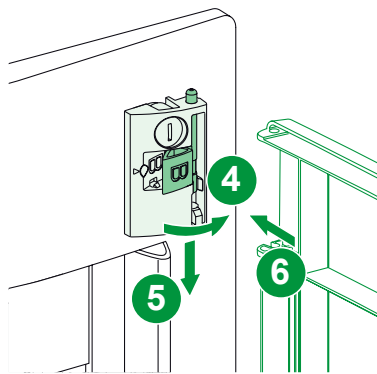
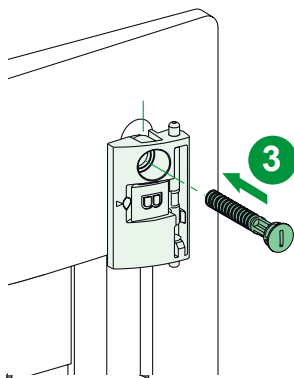
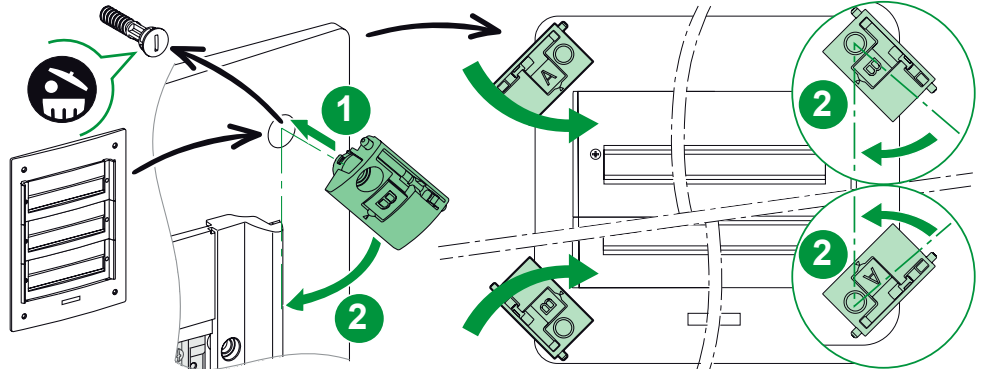
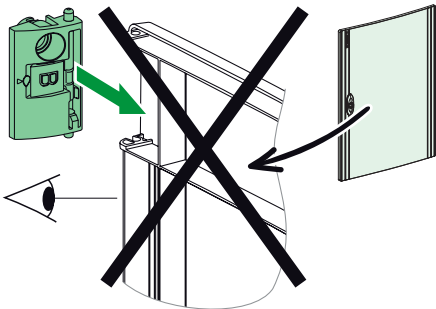
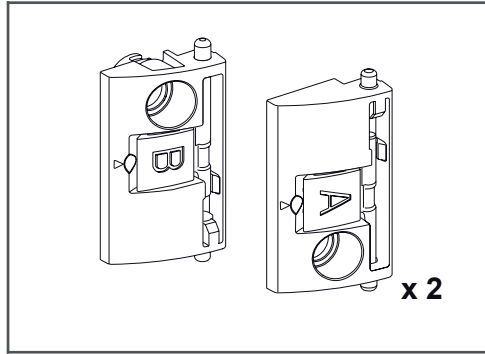
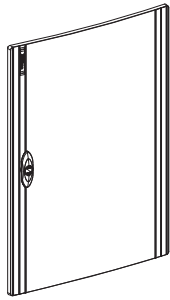
5

Finishing Installation

5.1 Assembly of Front Cover

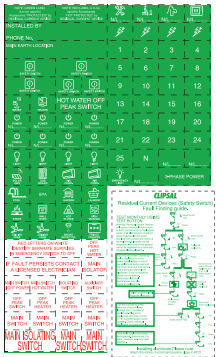


5.1.1 Assembly of Door



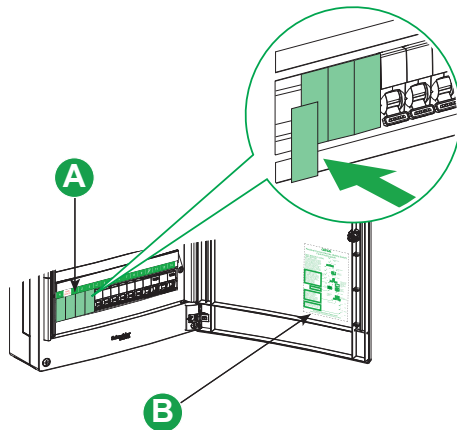
5.2 Labelling and Assembly of Pole Filler

MX9ELG



A

B



Clipsal by Schneider Electric (Australia) Pty Limited
33-37 Port Wakefield Road
Gepps Cross
South Australia 5094

Customer Care Centre
Tel: 1300 369 233
Email: customer care.au@se.com
Fax: 1300 369 288
www.clipsal.com
JYT5703201

Life Is On

CLIPSAL
by Schneider Electric

© 2021 Clipsal Australia Pty Ltd - All rights reserved.
The identified trademarks and copyrights are the property of Clipsal Australia Pty Ltd unless otherwise noted.