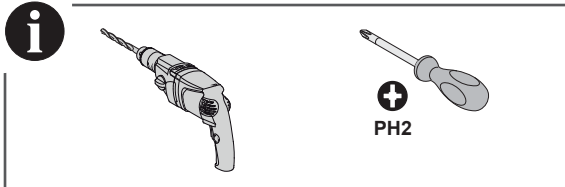


PLEASE NOTE

- The installation, maintenance and eventual replacement of this device must only be carried out by a qualified electrician.
- This device must not be repaired.
- All applicable local, regional and national regulations must be complied with during the installation, use, maintenance and replacement of this device.
- This device should not be installed if, when unpacking it, you observe that it is damaged.
- Clipsal cannot be held responsible in the event of noncompliance with the instructions in this document and in the documents to which it refers.
- The service instruction must be observed throughout the life time of this device.

Use recommended Schneider Electric products for better performance.



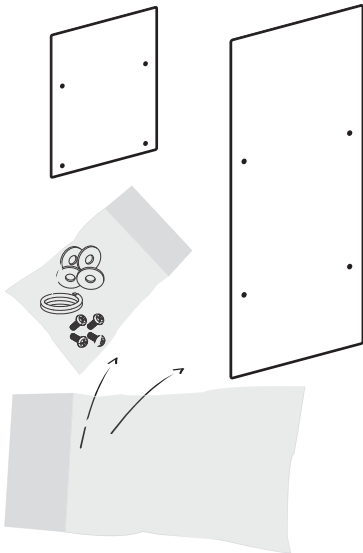
⚠ ⚠ DANGER

HAZARD OF ELECTRIC SHOCK, EXPLOSION, OR ARC FLASH

- Turn off all power supplying this device before working on it.
- Use a voltage tester with a suitable rated voltage in order to check that all active conductors aren't energized.
- Carefully inspect the work area to check that no tools or objects could have been left inside the equipment

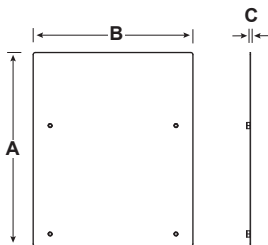
Failure to follow these instructions will result in death or serious injury.

1 Unboxing



Commercial Reference Number	Instruction Sheet	Metal Back Plate	Earth Cable	M4 Screw	Washer
E2115FBP	1	1	1	4	4
E2215FBP	1	1	1	4	4
E2315FBP	1	1	1	4	4
E2415FBP	1	1	1	4	4

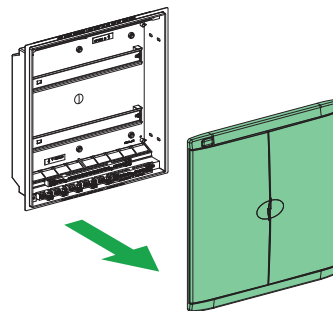
i Dimensions of Metal Back Plate



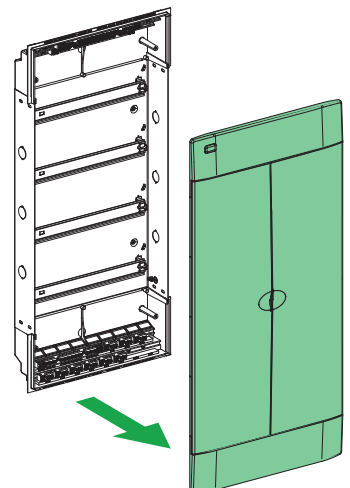
Commercial Reference Number	Height (A)	Width (B)	Thickness (C)	To Suit Enclosure
E2115FBP	290	330	2	MX9E2115F
E2215FBP	400	330	2	MX9E2215F
E2315FBP	650	330	2	MX9E2315F
E2415FBP	760	330	2	MX9E2415F

2 Removal of Front Cover

E2115FBP, E2215FBP

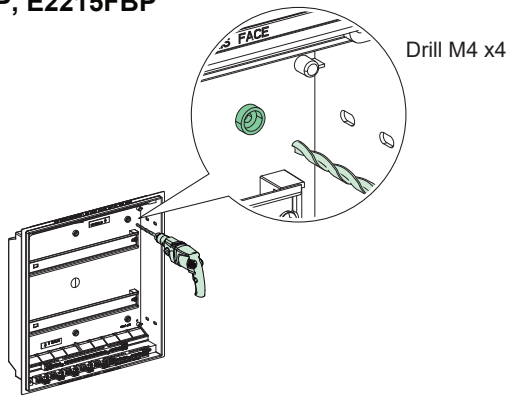


E2315FBP, E2415FBP

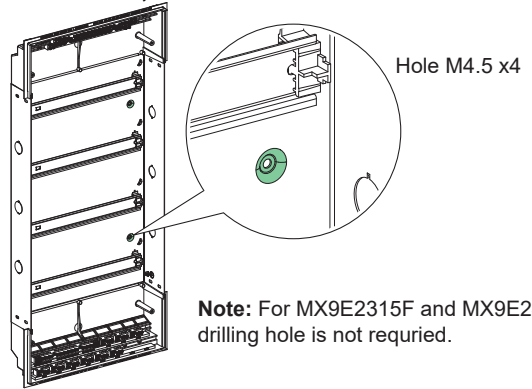


3 Drill the Knockouts

E2115FBP, E2215FBP

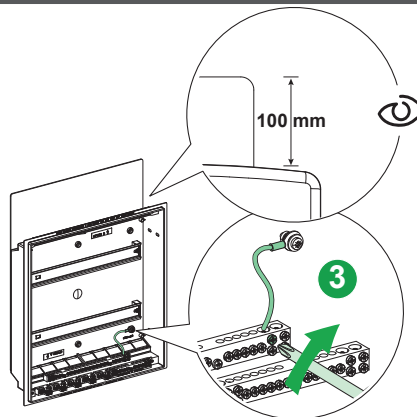
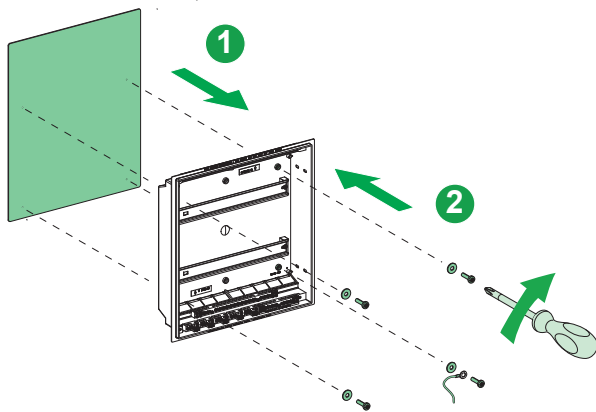


E2315FBP, E2415FBP



4 Assembly of Back Plate and Earthing Connection

E2115FBP, E2215FBP

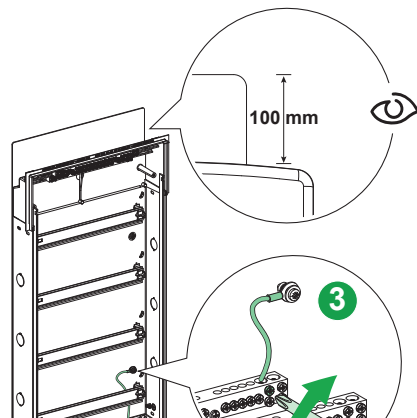
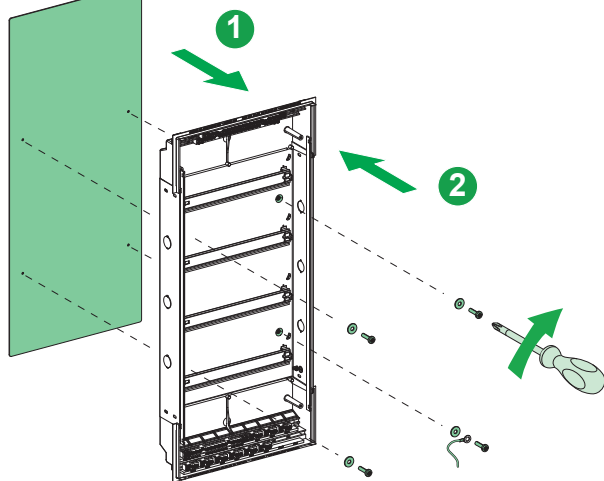


Note: Connect the cable to the nearest earth terminal.

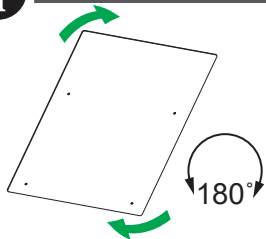
Installation Tips:

The dimensions of the plaster board cut-out is by the plastic enclosures dimensions. The metal back does not change the dimensions of the cut-out in the plasterboard. Pull cables into enclosure and then insert enclosure into wall cavity by first inserting the metal extension.

E2315FBP, E2415FBP



Note: Connect the cable to the nearest earth terminal.



Note: Reverse the backplate based on cable entry (top or bottom).

Clipsal by Schneider Electric (Australia) Pty Limited
33-37 Port Wakefield Road
Gepps Cross
South Australia 5094

Customer Care Centre
Tel: 1300 369 233
Email: customer-care.au@se.com
Fax: 1300 369 288
www.clipsal.com
JYT5523201-00

Life Is On

