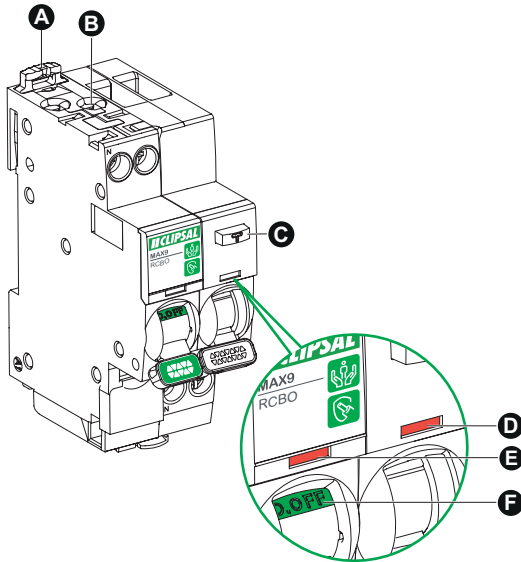


Residual current circuit breaker with overcurrent protection (RCBO)  
Compliant with AS/NZS 61009.1

**PLEASE NOTE**

- The installation, maintenance and eventual replacement of this device must only be carried out by a qualified electrician.
- This device must not be repaired.
- All applicable local, regional and national regulations must be complied with during the installation, use, maintenance and replacement of this device.
- This device should not be installed if, when unpacking it, you observe that it is damaged.
- Schneider Electric cannot be held responsible in the event of noncompliance with the instructions in this document and in the documents to which it refers.
- The service instruction must be observed throughout the life time of this device.

# 1 Description



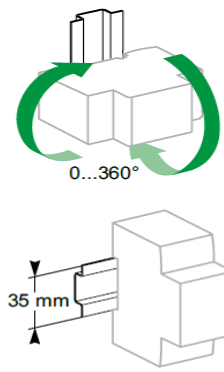
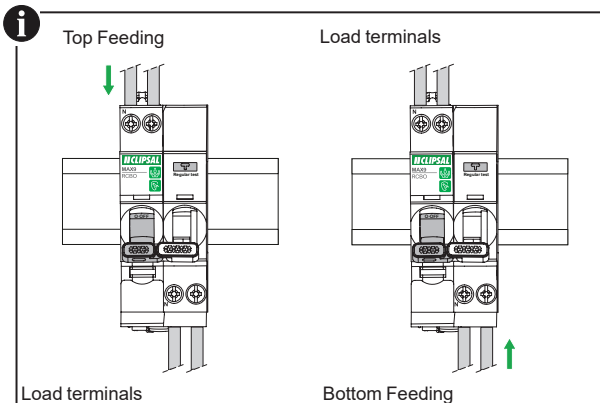
- A** Clip for DIN rail mounting
- B** Connection terminals
- C** Test button
- D** VISI-TRIP: Earth leakage fault tripping
- E** VISI-TRIP: Short-circuit and overload fault tripping
- F** VISI-SAFE: Positive contact indication

# 2 Installation

**⚠ ⚠ DANGER**

**HAZARD OF ELECTRIC SHOCK, EXPLOSION OR ARC FLASH**

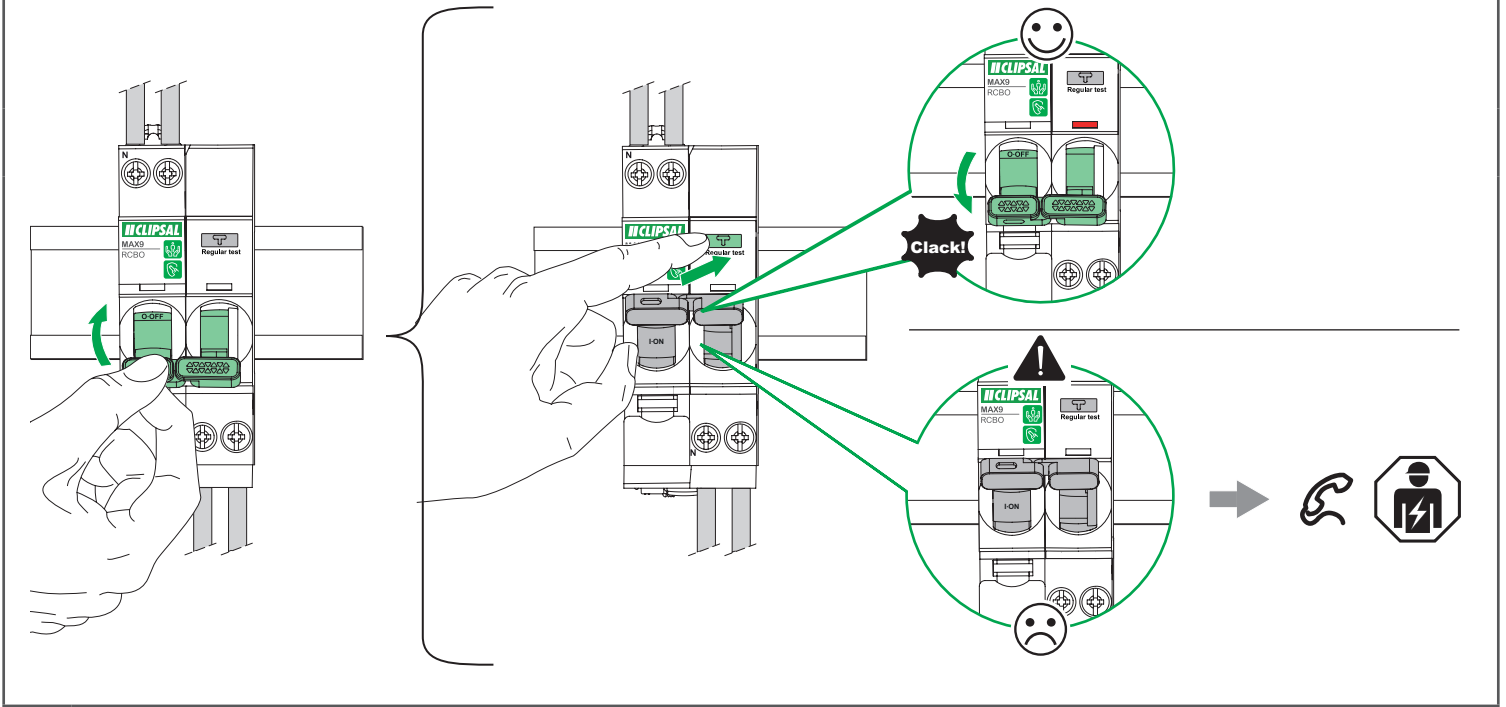
- Turn off all power supplying this device before working on it.
  - Use a voltage tester with a suitable rated voltage, in order to check that all active conductors aren't energized.
- Failure to follow these instructions will result in death or serious injury.



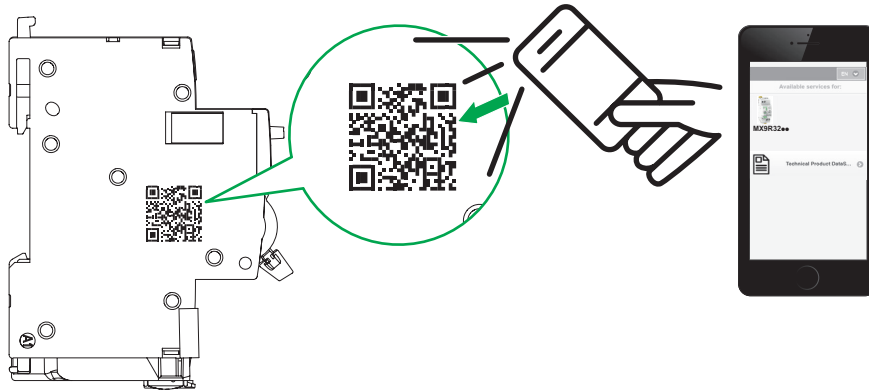
14 mm	1...16 mm <sup>2</sup>	1...10 mm <sup>2</sup>
2 N.m	5.5 mm	PZ2

### 3 Regular test

**Note:** Test the device at regular intervals by pressing the Test button (marked T), following the intervals defined in your local regulations or monthly.



### 4 More information...



**Clipsal by Schneider Electric (Australia) Pty Ltd**  
33-37 Port Wakefield Road  
Gepps Cross  
South Australia 5094

Customer Care Centre  
Tel: 1300 369 233  
Email: [customer care.au@se.com](mailto:customer care.au@se.com)  
Fax: 1300 369 288  
[www.clipsal.com](http://www.clipsal.com)  
JYT3818400-00