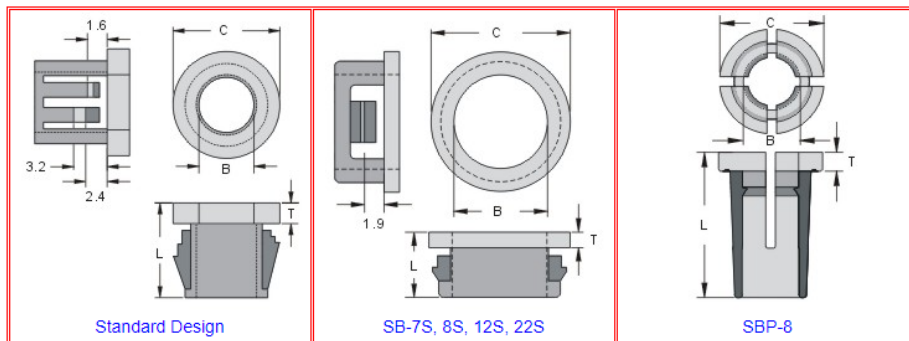


0710 KSS Snap Bushing



- Material: UL approved Nylon 66, 94V-2
- Color: Black
- KSS SNAP BUSHING smooth and insulate your raw-edged holes in metal chassis.
- Locking into hole firmly with fingertip pressure.
- Protect electrical cables, ropes, utility lines through metal holes.
- Available in application for chassis thickness Under 3.2mm



※ SB-8A: available for chassis thickness under 2.2 mm								Unit: mm
※ SB-8: available for chassis thickness under 1.6 mm								
	Item No.	Mounting Hole		B	C	L	T	Packing
		mm	inch					
	<input type="checkbox"/> SB-7S	7.1	9/32"	5.8	8.8	6.1	1.3	100 pcs / Bag
	<input type="checkbox"/> SB-8S	7.9	5/16"	6.8	9.8	6.0	1.5	
	<input type="checkbox"/> SB-12S	11.9	15/32"	9.2	13.7	6.3	1.5	
	<input type="checkbox"/> SB-22S	22.2	7/8"	19.6	24.0	6.5	1.5	
	※ <input type="checkbox"/> SB-8A	7.9	5/16"	5.1	10.5	8.0	1.6	
	※ <input type="checkbox"/> SB-8	7.9	5/16"	5.8	10.5	8.0	1.6	
	<input type="checkbox"/> SBP-8	7.4		5.9	10.8	15.0	2.0	
	<input type="checkbox"/> SB-10	9.5	3/8"	6.4	12.0	10.3	1.6	
	<input type="checkbox"/> SB-10M	9.5	3/8"	7.8	13.0	10.5	1.6	
	<input type="checkbox"/> SB-13	12.7	1/2"	8.0	15.0	10.3	1.6	
	<input type="checkbox"/> SB-14	14.3	9/16"	11.4	17.0	10.3	1.5	
	<input type="checkbox"/> SB-16	15.9	5/8"	12.7	18.6	10.3	1.6	
	<input type="checkbox"/> SB-19	19.1	3/4"	14.8	21.7	10.3	1.6	
	<input type="checkbox"/> SB-19M	19.1	3/4"	15.8	21.7	10.3	1.6	
	<input type="checkbox"/> SB-20	20.0		15.9	22.4	10.0	1.4	
	<input type="checkbox"/> SB-22	22.2	7/8"	17.5	24.2	11.5	1.6	
	<input type="checkbox"/> SB-22M	22.2	7/8"	18.9	24.2	11.5	1.6	
	<input type="checkbox"/> SB-25	25.4	1"	19.5	28.5	11.7	1.8	
	<input type="checkbox"/> SB-26	25.4		19.1	28.5	11.5	1.6	
	<input type="checkbox"/> SB-30	30.1	1 3/16"	24.1	33.3	11.5	1.6	
	<input type="checkbox"/> SB-32	32.0		23.8	34.6	11.4	1.5	
	<input type="checkbox"/> SB-38	38.1	1 1/2"	29.0	42.1	11.4	1.5	
	<input type="checkbox"/> SB-45	44.5	1 3/4"	35.4	47.8	11.6	1.5	
	<input type="checkbox"/> SB-50	50.8	2"	41.6	54.6	11.8	1.6	