

Catalogue No: **DTC2020240D**

DIN CONTACTOR 20A 2NO 240V AC/DC COIL

Power Distribution and Protection > Circuit Breakers > Miniature Circuit Breakers and Earth Leakage Protection (RCDs and RCBOs) > DIN-T Contactors > DIN-T DTC..D Contactors



Representative Photo Only
(actual product may vary based on configuration selections)

DIN Contactor 20A, 2NO, 240V AC/DC coil

- Standards IEC 60947-1, IEC 60947-4-1 and IEC 61095
- 16, 20, 25, 40 & 63A
- Silent operated, hum free AC/DC coils
- Integrated surge protection
- Low power consumption
- Indicator position flag Red/Green
- Space saving, no spacer required 16A & 20A models
- 9mm Spacer required 25, 40 & 63A models if duty time 1hour and ambient >40°C
- Add on auxiliary contact 2NO or 1NO/1NC
- DIN rail mount

SPECIFICATIONS

Product Series	DIN-T
Component Type Power Distribution & Protection	Contactor
Rated Frequency	DC, 50/60/400 Hz
Coil Voltage, AC, Nom	240 V AC
Coil Voltage, DC, Nom	240 V DC
Contact Configuration	2 NO
Ui, Rated Insulation Voltage, AC	400 V AC
Rated Impulse Withstand Voltage	ESB: 6 & EN: 6 kV
Ith, Thermal Current at 40°C	20 A
Ue, Rated Operational Voltage, AC	250 V AC
Ue, Rated Operational Voltage, DC	220 V DC
Ie, Rated Operational Current, AC-1, 230V, 1Ø	20 A@230V 1Ø
Ie, Rated Operational Current, AC-1, 240V	20 A@240V
Ie, Rated Operational Current, AC-3, 230V, 1Ø	9 A@230V 1Ø
Ie, Rated Operational Current, AC-7a, 230V, 1Ø	20 A@230V 1Ø
Ie, Rated Operational Current, AC-7b, 230V, 1Ø	9 A@230V 1Ø
Pe, Rated Operational Power, AC 1, 230V AC, 1Ø	4.6 kW@230V 1Ø
Pe, Rated Operational Power, AC 1, 240V AC, 1Ø	4.8 kW@240V 1Ø
Pe, Rated Operational Power, AC 3, 230V AC, 1Ø	1.3 kW@230V 1Ø
kW Rating, AC-7a, 230V, 1Ø	4.6 kW @230V 1Ø
kW Rating, AC-7b, 230V, 1Ø	1.3 kW @230V 1Ø
Ie, Rated Operational Current DC-1, 24V, 1 Pole	20 A@24V 1 Pole
Ie, Rated Operational Current DC-1, 48V, 1 Pole	15 A@48V 1 Pole
Ie, Rated Operational Current DC-1, 110V, 1 Pole	5 A@110V 1 Pole
Ie, Rated Operational Current, DC-1, 220V, 1Pole	0.5 A@220V 1Pole
Ie, Rated Operational Current DC-3, 24V, 1 Pole	15 A@24V 1 Pole
Ie, Rated Operational Current DC-3, 48V, 1 Pole	7 A@48V 1 Pole
Ie, Rated Operational Current DC-3, 110V, 1 Pole	1.5 A@110V 1 Pole

Catalogue No: **DTC2020240D**

DIN CONTACTOR 20A 2NO 240V AC/DC COIL

Power Distribution and Protection > Circuit Breakers > Miniature Circuit Breakers and Earth Leakage Protection (RCDs and RCBOs) > DIN-T Contactors > DIN-T DTC..D Contactors



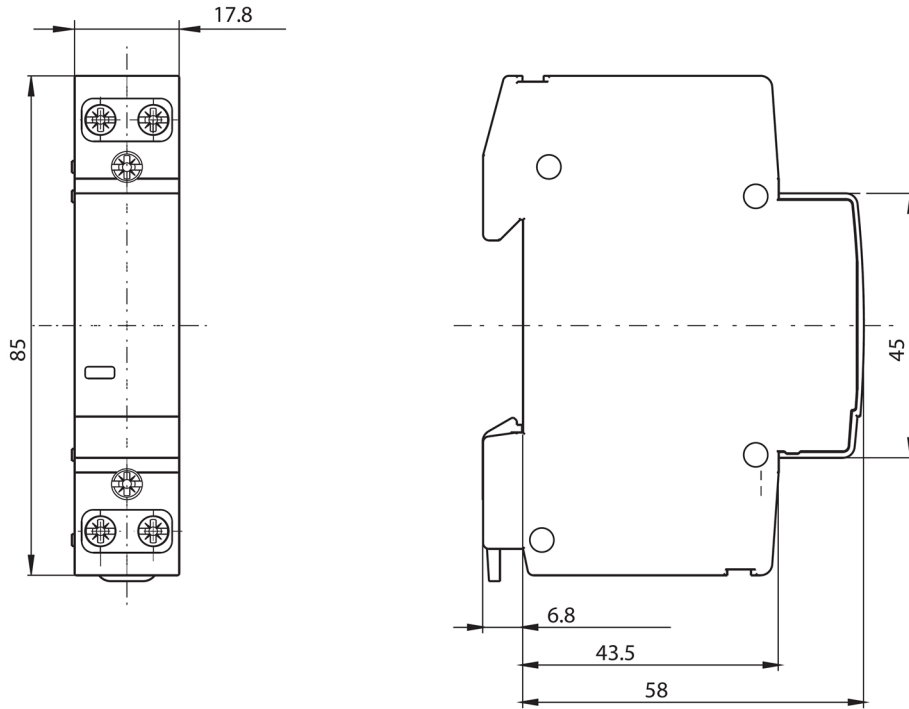
le, Rated Operational Current, DC-3, 220V, 1 Pole	0.2 A@220V 1Pole
Coil Operating Limits Range acc. to IEC/EN60947-4-1	0.85 ... 1.1 x Coil Voltage (at $\theta \leq 55\text{ }^{\circ}\text{C}$)
Coil Pull In Consumption	2.5 W
Coil Pull In Consumption 50Hz	2.5 VA
Coil Pull In Consumption 60Hz	2.5 VA
Coil Holding Consumption	2.5 W
Coil Holding Consumption 50Hz	2.5 VA
Coil Holding Consumption 60Hz	2.5 VA
Motor FLC, 220-240V. 1Ø	8 A
Cmax, Compensating Capacity per Phase	75 μF
Power Loss Per Pole	1.4 W
Wire / Conductor Size (Min)	1 x 1mm ² & 2 x 1mm ² min
Wire / Conductor Size (Max)	1 x 10mm ² & 2 x 4mm ²
Tightening Torque (Main Circuit)	1.2 Nm
Wire / conductor size, control, min	1 x 1mm ² & 2 x 1mm ²
Wire / conductor size, control, max	1 x 4mm ² & 2 x 2.5mm ²
Tightening Torque (Control Circuit)	0.9 Nm
Vibration Rating IEC60068-2-6	1g/3-150 Hz
Shock (Half-Sine) Category	Category E
Shock (Half-Sine) Rating IEC/EN 60068-2-27 (Ea)	15g/11ms
Rated Making Capacity AC-3	10 x Ie /AC-3
Rated Breaking Capacity AC-3	8 x Ie /AC-3
Electrical Durability, AC-1/AC-7a	150000 Cycles
Electrical Durability, AC-3/AC-7b	150000 Cycles
Max. Electrical Switching Frequency, AC-1/AC-7a	300 Cycles/h
Max. Electrical Switching Frequency, AC-3/AC-7b	600 Cycles/h
Height	85 mm
Width	17.8 mm
Depth	58 mm
Operating Temperature, Min	-25 $^{\circ}\text{C}$ min
Operating Temperature, Max	55 $^{\circ}\text{C}$ max
Storage Temperature, Min	-40 $^{\circ}\text{C}$ min
Storage Temperature, Max	80 $^{\circ}\text{C}$ max
Altitude, Operating, Max	2000 m
Mechanical Durability	1000000 Cycles
Standards Compliance	IEC 60947-1 IEC 60947-5-1

REFERENCES

IECEx Certificate	-
Supplier Declaration of Conformity:	-
Installation Guide:	Lamp Load Table
User Manual:	-
Manufacturer Datasheet:	-
Manufacturer Catalogue & Product Selection:	-

Catalogue No: **DTC2020240D**
DIN CONTACTOR 20A 2NO 240V AC/DC COIL

Power Distribution and Protection > Circuit Breakers > Miniature Circuit Breakers and Earth Leakage Protection (RCDs and RCBOs) > DIN-T Contactors > DIN-T DTC..D Contactors



Dimension Diagram

Catalogue No: **DTC2020240D**

DIN CONTACTOR 20A 2NO 240V AC/DC COIL

Power Distribution and Protection > Circuit Breakers > Miniature Circuit Breakers and Earth Leakage Protection (RCDs and RCBOs) > DIN-T Contactors > DIN-T DTC..D Contactors



Lamp Load Table		DTC16..D	DTC20..D	DTC24..D	DTC40..D	DTC63..D
Rated Current (A)		16	20	25	40	63
Permitted compensating capacity per phase Cmax [µF]		45	75	100	350	500
Lamp types		Maximum load of the current paths during switching of electric lamps I _g [A]				
Incandescent and halogen lamps (230 V)		4	6	7	20	30
Mixing lamps without ballast		4	6	7	20	30
Fluorescent lamps with conventional ballast						
Single lamp uncompensated		14	18	22	36	56
Single lamp parallel compensated		2	3	3.5	10	15
Series compensation, duo circuit		14	18	22	36	56
Fluorescent lamps with electronic ballast or CFL		4	6	7	20	30
LED lamps		4	6	7	20	30
High pressure mercury-vapor lamps						
Single lamp without compensation		7	9	11	18	28
Single lamp with parallel compensation		2	3	3.5	10	15
Halogen metal-vapor lamps						
Single lamp without compensation		7	9	11	18	28
Single lamp with parallel compensation		2	3	3.5	10	15
High pressure sodium-vapor lamps						
Single lamp without compensation		7	9	11	18	28
Single lamp with parallel compensation		2	3	3.5	10	15
Low pressure sodium-vapor lamps						
Single lamp without compensation		7	9	11	18	28
Single lamp with parallel compensation		2	3	3.5	10	15

Technical Diagram