

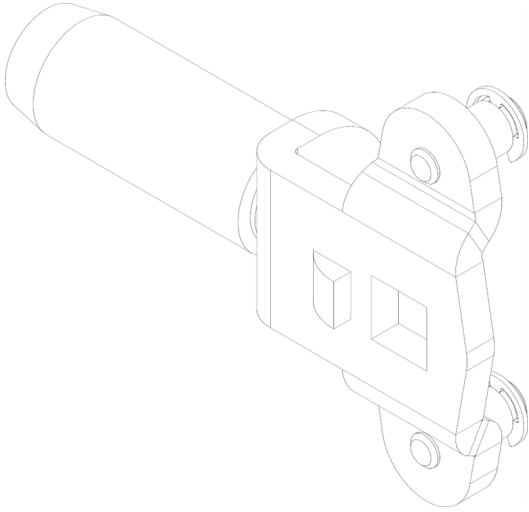
# Catalogue No: **CELHC-RP21C60**

## CEL PBD ACC DOOR HANDLE CAM ROLLER THREE POINT

Power Distribution and Protection > Distribution Boards > Panelboards > General Panelboard Hardware / Accessories > Door Accessories > Handle Cams



CONCEPT Door Handle, Locking Roller Cam, Three Point, suits CPL and CPR



Representative Photo Only  
(actual product may vary based on configuration selections)

### SPECIFICATIONS

Component Type	Power Distribution & Protection	Doors
L99 Application	Part of enclosure door handle assembly used in Concept Plus size 8M and 9M panel boards, and in all Concept Premier panel boards	
Parts Required	M6x10 screw supplied with handle	
Installation Notes	After fitting the handle to the enclosure door, secure the cam roller against the spacer on the rear of the handle using the M6x10 screw supplied. The orientation of the spacer must be rotated 90° for LH hinged doors	

### REFERENCES

IECEX Certificate	-
Supplier Declaration of Conformity:	-
Installation Guide:	-
User Manual:	-
Manufacturer Datasheet:	-
Manufacturer Catalogue & Product Selection:	-