

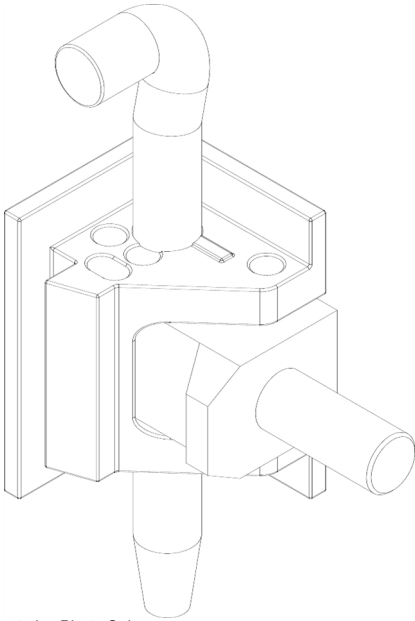
Catalogue No: **CELHHC-ZBK3**

CEL PBD ACC DOOR HINGE BLACK ZINC & STEEL PIN

Power Distribution and Protection > Distribution Boards > Panelboards > General Panelboard Hardware / Accessories > Door Accessories > Hinges



Concept Panelboard door hinge black zinc with steel pin



Representative Photo Only
(actual product may vary based on configuration selections)

SPECIFICATIONS

Component Type Power Distribution & Protection	Doors
L99 Application	These hinges are used to secure the main door of all panel board enclosures
Installation Notes	Press the shell into the door cut-out until it clips flush with the outer faces of the door. Fit the moulded-end bolt so its hinge-pin hole aligns with those in the shell. With the hook at the top, tap the hinge-pin into place until it is held firm

REFERENCES

IECEX Certificate	-
Supplier Declaration of Conformity:	-
Installation Guide:	-
User Manual:	-
Manufacturer Datasheet:	-
Manufacturer Catalogue & Product Selection:	-