

# Catalogue No: **CPL-60-G**

## C/PLUS PBOARD DIN-T 60W NO MSW 5M-1080mm GREY

Power Distribution and Protection > Distribution Boards > Panelboards > CONCEPT PLUS Panelboard > Concept Plus Panelboard CPL > Grey - Mild Steel



CONCEPT PLUS Panelboard, IP42, DIN-T 60-Way 250 A NC Chassis, No Main Switch, 5M-1080 mm, Storm Grey (N42)

- Standard AS/NZS 61439-3
- Option - Compact 160 A or 250 A main switch
- Option - Isolator or circuit breaker main switch
- Modular sizes up to 96-Way
- Knockouts for up to 18 modules DIN equipment
- Accessory modules
- Removable gland plates
- Door fitted independent of escutcheon
- Right hand door hinging
- Semi flush door swing handle
- IP42 (option IP52)
- Chassis tee-off isolator option

Representative Photo Only  
(actual product may vary based on configuration selections)

### SPECIFICATIONS

|  |                                     |
|--|-------------------------------------|
| Product Series                                 | Concept Plus                        |
| Component Type Power Distribution & Protection | Panelboard                          |
| Chassis Type                                   | Encapsulated                        |
| IP Rating                                      | IP42                                |
| IP rating, with door                           | IP42                                |
| IP rating, without door                        | IP30                                |
| Number of Poles                                | 60                                  |
| Box Size                                       | 5                                   |
| Number of Modules                              | 5 qty                               |
| Height   | 1080 mm                             |
| Depth, Including Door                          | 200 mm, incl door                   |
| Depth, Door                                    | 20 mm depth                         |
| MCB Type                                       | DIN Profile                         |
| Product series, chassis                        | NC                                  |
| In, rated current, busbar                      | 250 A                               |
| Icw, Busbar Withstand Current, 100ms (rms)     | 25 kA for 100ms                     |
| Segregation Form Rating                        | 1                                   |
| Material                                       | Powder Coated Mild Steel            |
| Material Thickness                             | 1.6 mm                              |
| Material, Base                                 | Mild Steel                          |
| Material Thickness, Base                       | 1.6 mm                              |
| Finish, Base                                   | Powder Coated (Polyester) base      |
| Colour, Base                                   | Storm Grey (N42) base               |
| Material, door                                 | Mild Steel                          |
| Material thickness, door                       | 1.6 mm                              |
| Finish, Door                                   | Powder Coated (Polyester) door      |
| Colour, Door                                   | Storm Grey (N42) door               |
| Door Handle Type                               | Semi flush keyed CL001 quarter turn |

# Catalogue No: **CPL-60-G**

## C/PLUS PBOARD DIN-T 60W NO MSW 5M-1080mm GREY

Power Distribution and Protection > Distribution Boards > Panelboards > CONCEPT PLUS Panelboard > Concept Plus Panelboard CPL > Grey - Mild Steel



|   |   |
|---|---|
| Door hinged independent escutcheon          | Yes, from RH side standard  |
| Escutcheon                                  | Bright white gloss hinged RH side   |
| Material, Escutcheon                        | Mild Steel  |
| Material Thickness, Escutcheon              | 1.2 mm  |
| Finish, Escutcheon                          | Powder Coated (Polyester) escutcheon  |
| Colour, Escutcheon                          | White escutcheon  |
| Gland Plate/End Cap                         | Removable 1.6 mm mild steel, top/bottom   |
| Spare DIN rail space (free poles)           | 18  |
| Earth and Neutral bar Rating                | 250 A Bar, 2 screw tunnel terminals (M8 studs top and bottom, spare 1 x 25 mm + 1 x 16 mm, 2 x 25 mm tunnel terminals and remainder 2 screw 16 mm tunnel terminals) |
| Ue, rated operational voltage, AC, 1ph, nom | 240 V AC  |
| Ue, rated operational voltage, AC, 3ph, nom | 415 V AC  |
| L99 Application                             | Concept Plus, 5 Module, Grey Panelboard with 60 Way NC chassis and no main switch   |
| Style of Panelboard                         | Standard  |
| Standards Compliance                        | AS/NZS 61439.3  |

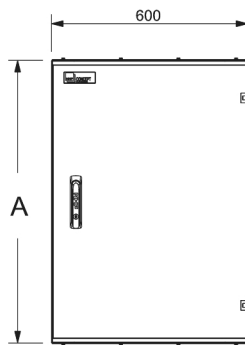
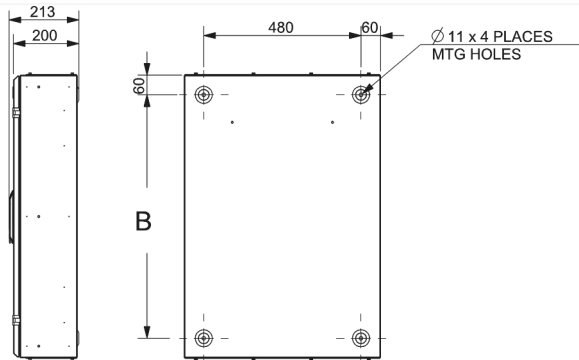
### REFERENCES

|   |   |
|---|---|
| IECEX Certificate                           | -   |
| Supplier Declaration of Conformity:         | <a href="#">Concept Plus - no main switch_Supplier Declaration of Conformity (SDoC)</a> |
| Installation Guide:                         | <a href="#">Concept Gen 3 Installation Instruction Booklet</a>                          |
| User Manual:                                | -   |
| Manufacturer Datasheet:                     | -   |
| Manufacturer Catalogue & Product Selection: | -   |

# Catalogue No: **CPL-60-G**

## C/PLUS PBOARD DIN-T 60W NO MSW 5M-1080mm GREY

Power Distribution and Protection > Distribution Boards > Panelboards > CONCEPT PLUS Panelboard > Concept Plus Panelboard CPL > Grey - Mild Steel



| Module Size | A      | B      |
|-------------|--------|--------|
| 2           | 432mm  | 312mm  |
| 3           | 648mm  | 528mm  |
| 4           | 864mm  | 744mm  |
| 5           | 1080mm | 960mm  |
| 6           | 1296mm | 1176mm |
| 7           | 1512mm | 1392mm |
| 8           | 1728mm | 1608mm |
| 9           | 1944mm | 1824mm |

Plan view



Dimension Diagram