

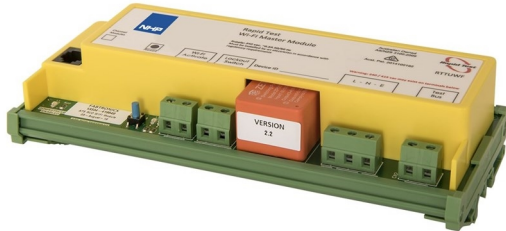
Catalogue No: **NRT-TUWFM**

RCD RTS WI-FI MASTER 240V 10-100mA

Power Distribution and Protection > Distribution Boards > Panelboards > Rapid Test RCD Testing System > Test Equipment



RCD Rapid Test System Wi-Fi Master 240V 10-100mA



- Reduces risk by eliminating the need to access live parts
- Reduces risk by minimising potential exposure to arc flash
- Improves productivity, reduces downtime (saving money)
- Simplifies testing, test entire Panelboard in minutes (labour savings)
- Automatically generates report (no manual report writing)
- Reduce compliance costs
- Exceed compliance requirements
- WiFi connection
- Security lockout switch option

Representative Photo Only
(actual product may vary based on configuration selections)

SPECIFICATIONS

Product Series	Rapid Test
I Δ n, RCD Testing Trip Sensitivity	10mA, 30mA, 100mA
Channel Terminal Cross Section (Min)	0.5 mm ²
Channel Terminal Cross Section (Max)	4 mm ²
Power and Control Terminal Cross Section (Min)	0.5 mm ²
Power and Control Terminal Cross Section (Max)	2.5 mm ²

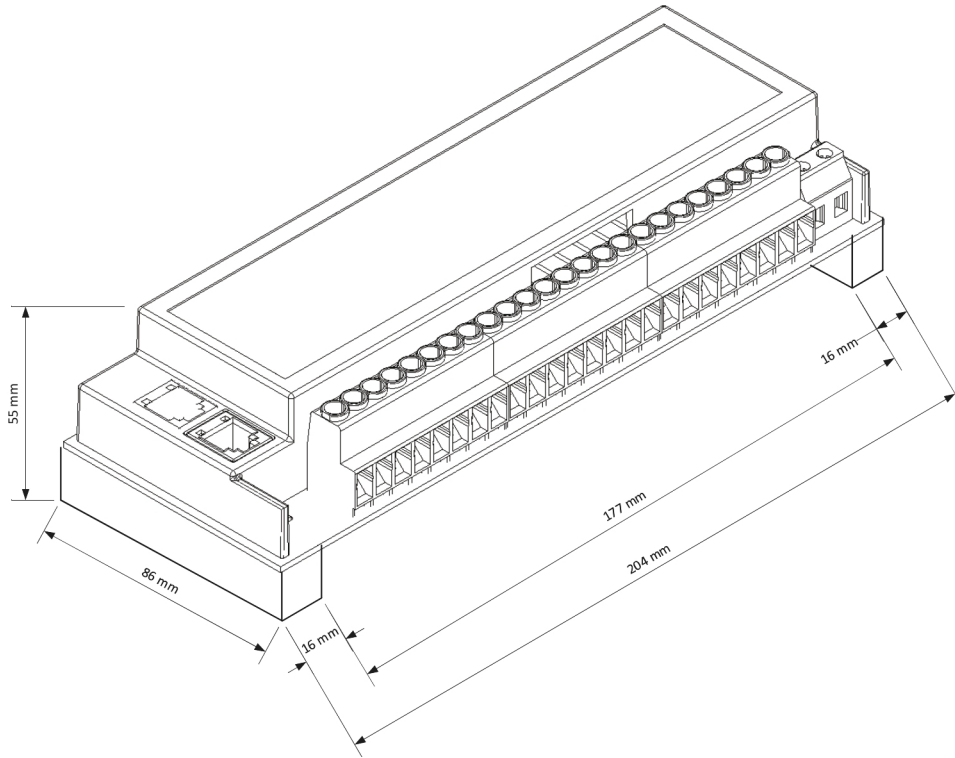
REFERENCES

IECEX Certificate	-
Supplier Declaration of Conformity:	-
Installation Guide:	-
User Manual:	-
Manufacturer Datasheet:	-
Manufacturer Catalogue & Product Selection:	-

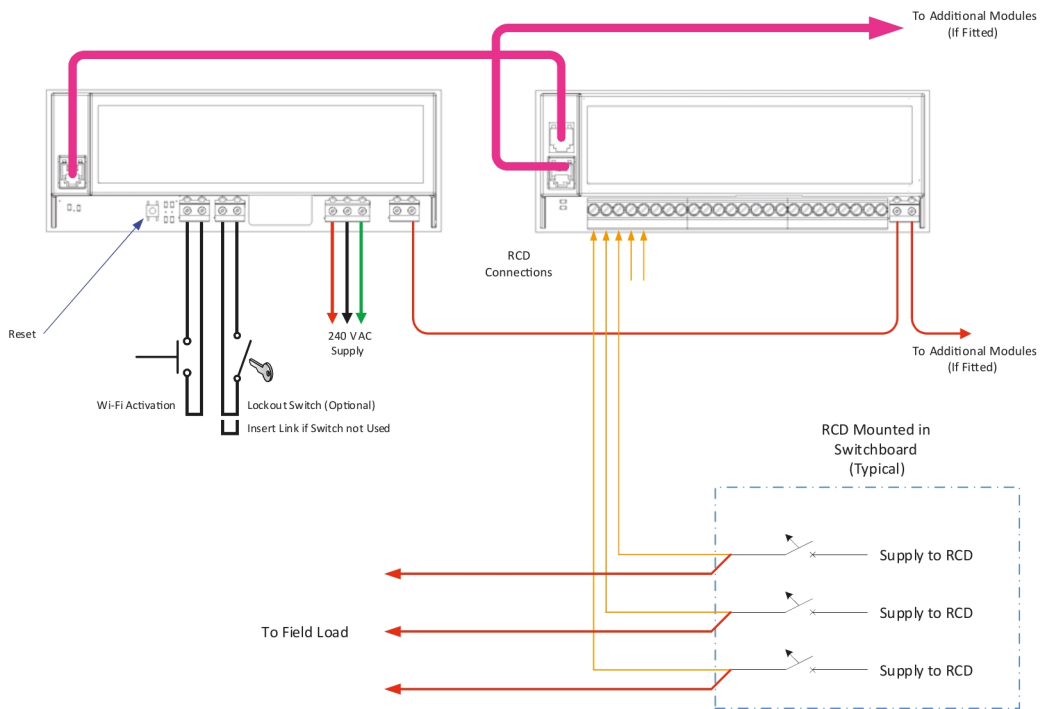


Catalogue No: **NRT-TUWFM**
RCD RTS WI-FI MASTER 240V 10-100mA

Power Distribution and Protection > Distribution Boards > Panelboards > Rapid Test RCD Testing System > Test Equipment



Dimension Diagram



Connection / Wiring Diagram