



DATA SHEET:

COMMUNICATIONS 90° SWEEP BENDS (LSB)

AUSTRALIAN MADE BY AN AUSTRALIAN OWNED COMPANY, AUSSIE DUCT COMMUNICATIONS 90° SWEEP BENDS ARE SUITABLE FOR UNDERGROUND INSTALLATIONS. MANUFACTURED TO AUSTRALIAN STANDARD AS/NZS2053 AND CONFORMS WITH "BEST PRACTICE GUIDELINES FOR PVC IN THE BUILT ENVIRONMENT" (GREEN STAR). SUITABLE FOR ALL AUSSIE DUCT COMMUNICATIONS CONDUIT.

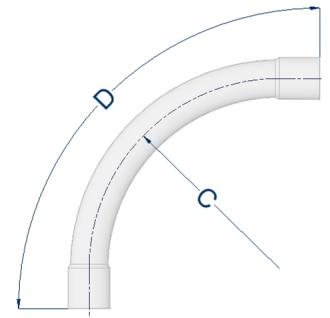
AUSTRALIAN PLASTIC PROFILES ALSO OFFERS A LARGE RANGE OF SPECIAL RADIUS BENDS, RANGING FROM R600(MM) TO R2500(MM) ACROSS VARIOUS SIZES. CONTACT US FOR FURTHER INFORMATION.

100%AussieMade



TECHNICAL SPECIFICATION

MATERIAL	PVC-U
COLOUR	WHITE
DUTY RATING	MEDIUM
PRODUCT STANDARD	AS/NZS2053.2
UV RESISTANT	YES - UV (T) STABILISED
B.E.P CERTIFIED	YES (CERTIFICATE: 4008)
TEMPERATURE RANGE	0-60°C
IP INGRESS PROTECTION	IP66* (FULLY SOLVENT CEMENTED AUSSIE DUCT CONDUIT SYSTEM)
DIELECTRIC STRENGTH	ELECTRO-INSULATING
FLAME PROPAGATION	NON-FLAME PROPAGATING
QUALITY MANAGEMENT SYSTEM	ISO9001:2015 (CERTIFICATE: QEC0597)



Product Code	Nominal Size (mm)	Angle (°)	C-LineRadius (mm) C	Overall Length (mm) D	Pack Qty
LSB20WH	20	90°	150	303	20
LSB25WH	25	90°	150	300	10
LSB32WH	32	90°	315	550	25
LSB50WH	50	90°	320	570	10
LSB80WH	80	90°	600	1080	1
LSB100WH	100	90°	508	1050	1
LSB100WH600	100	90°	600	1140	1
LSB150WH	150	90°	760	1500	1

Product Code	Nominal Size (mm)	Angle (°)	C-LineRadius (mm) C	Overall Length (mm) D	Pack Qty
NBNLSB20WH	20	90°	305	570	30
NBNLSB20WHSHORT	20	90°	100	230	15
NBNLSB50WH	50	90°	305	630	20