

## Shadoweco LED Floodlight

The Pierlite SHADOWECO LED Floodlight is available in 15W, 30W, 50W, 100W and 200W options giving you the general floodlighting ability to illuminate industry & light commercial areas.

- One box solution with colour select and lumen select - colour change is easily achieved after installation by pushing a button on the back of the fitting
- Bonus bracket for corner mounting for 30W and 50W
- Anti-fog diffuser with breather in-built cable gland



**COLOUR** SELECT



80

CRI



IP65

Ingress  
Protection  
Rating



IK08

Impact Rating



6SDCM

MacAdam  
Steps



Non -  
Dimmable

Dimming



3 Years

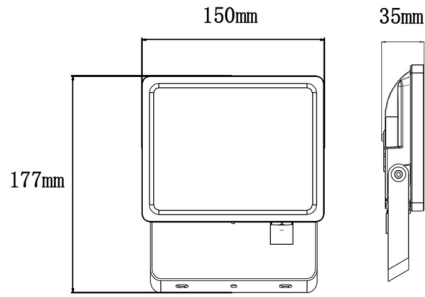
Warranty



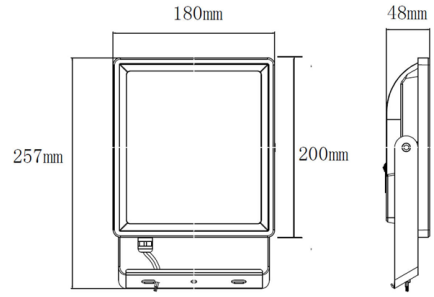
Symmetric

Beam  
Distribution

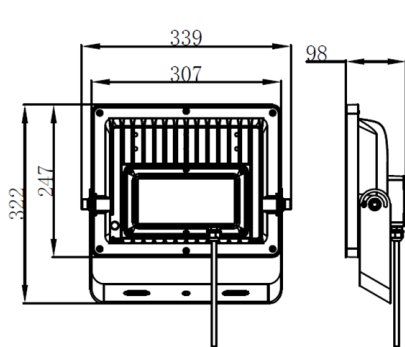
CODE	SYSTEM POWER	EXIT LUMEN	EFFICACY	CCT	DIMENSIONS	WEIGHT	INRUSH CURRENT	INRUSH CURRENT DURATION
SHADOWECO100BK	100W	10000lm	100lm/W	4000K	L339 x W322 x H98mm	4kg	4A	
SHADOWECO100CS	100W	11551lm	121lm/W	4000K	L339 x W322 x H98mm	4kg	64A	364µs
		9834lm	98lm/W	3000K				
		10827lm	107lm/W	5000K				
SHADOWECO200BK	200W	20000lm	100lm/W	4000K	L414 x W385 x H102mm	6kg		
SHADOWECO200CS	200W	23654lm	120lm/W	4000K	L414 x W385 x H102mm	6kg	65A	544µs
		19565lm	106lm/W	3000K				
		21757lm	105lm/W	5000K				
SHADOWECO30CSLS	30W	3300lm	100lm/W	4000K	L150 x W35 x H177mm	0.56kg	11A	288µs
		3100lm		6500K				
		1900lm						
	15W	1800lm						
		2900lm		3000K				
SHADOWECO50CS	50W	5290lm	100lm/W	4000K	L180 x W48 x H257mm	1kg	75A	5µs
		4700lm		3000K				
		4860lm		6500K				



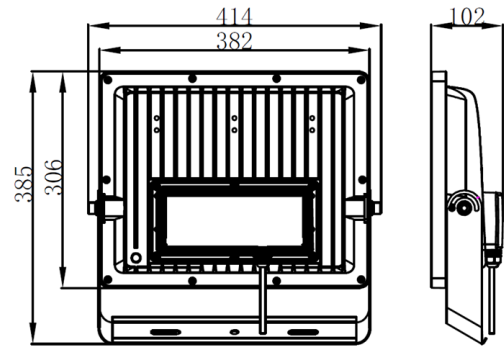
SHADOWECO30CSLS



SHADOWECO50CS



SHADOWECO100CS



SHADOWECO200CS

Product Images



SHADOWECO30CSLS



SHADOWECO30CSLS



SHADOWECO30CSLS



SHADOWECO30CSLS



SHADOWECO50CS



SHADOWECO50CS



SHADOWECO100CS



SHADOWECO100CS



SHADOWECO100CS



SHADOWECO100CS



SHADOWECO100CS



SHADOWECO100CS



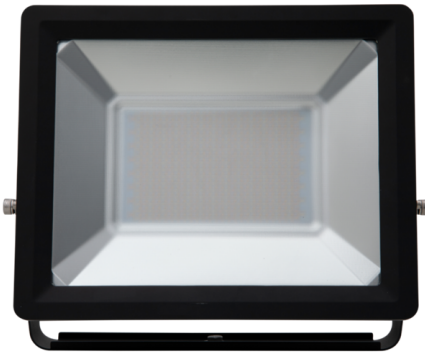
SHADOWECO200CS



SHADOWECO200CS



SHADOWECO200CS



SHADOWECO200CS



SHADOWECO200CS



SHADOWECO200CS