



OPAL DIMM LGS14TCD - 12W

12 watt dimmable LED SMD GLS style opal lamps, with selectable colour temperature

Application

Energy efficient LED lamp solutions

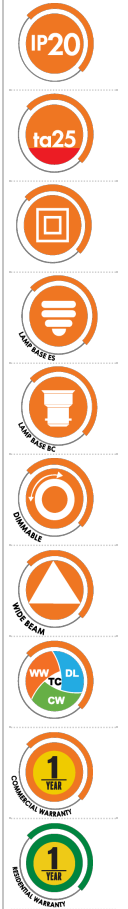
Design Specifications

- Opal polycarbonate diffuser, beam distribution 200 degree
- Poly covered aluminium body, B22 and E27 lamp bases
- High efficiency SMD LED chips, CRI > 80
- Integral trailing edge dimmable LED driver
- Colour temperature selectable 2700K / 4000K / 6000K
- 1:1 size to traditional GLS / A60 lamp, dimmable, suits most GLS / A60 lamp fittings, double insulation

Performance

Dimmable - **YES**

Dimmer Type - **TRAILING EDGE**



Technical Specification

Model No.	Input Voltage (V/AC)	Power (W)	Lumens (lm)	CCT (K)	CRI	Beam Angle (°)
LGS14TC/B22D	240	12	1300/1400/1350	2700/4000/6000	80	200
LGS14TC/E27D	240	12	1300/1400/1350	2700/4000/6000	80	200

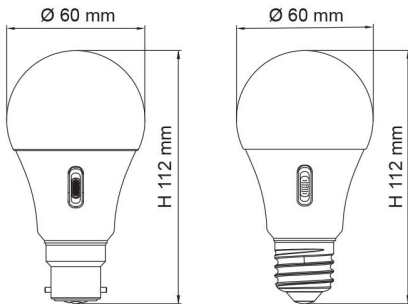
Model No.	Dimmable	Diameter (mm)	Length (mm)	Base Type
LGS14TC/B22D	YES	60	112	B22
LGS14TC/E27D	YES	60	112	E27

IMPORTANT, where CCT selection switching is provided, it is important to switch OFF the SUPPLY before the CCT selection is made, otherwise equipment damage may occur.



Due to continued product and technology enhancements, data sourced from sal.net.au shall not form part of any contract and or technical performance guarantee unless expressly confirmed in writing by SAL at the time of order. Products are sold in accordance with [SAL Terms and Conditions of sale](#) and all images shown are for illustration purposes only and may vary from the actual colour or finish. Unless specifically stated, all IP ratings nominated for Interior products are from "below the ceiling".

Dimensions



THE SFI SYSTEM ELIMINATES LED FLICKERING.

**SIMPLY
MATCH THE
UNIFIT SFI
DOWNLIGHT
WITH THIS
SDD400SFI
DIMMER.**



**DIM with
FLICKER
CONTROL**

For related
products
please
scan me

