

Catalogue No: **DTC4040240D**

DIN CONTACTOR 40A 4NO 240V AC/DC COIL

Power Distribution and Protection > Circuit Breakers > Miniature Circuit Breakers and Earth Leakage Protection (RCDs and RCBOs) > DIN-T Contactors > DIN-T DTC..D Contactors



Representative Photo Only
(actual product may vary based on configuration selections)

DIN Contactor 40A, 4NO, 240V AC/DC coil

- Standards IEC 60947-1, IEC 60947-4-1 and IEC 61095
- 16, 20, 25, 40 & 63A
- Silent operated, hum free AC/DC coils
- Integrated surge protection
- Low power consumption
- Indicator position flag Red/Green
- Space saving, no spacer required 16A & 20A models
- 9mm Spacer required 25, 40 & 63A models if duty time 1hour and ambient >40°C
- Add on auxiliary contact 2NO or 1NO/1NC
- DIN rail mount

SPECIFICATIONS

Product Series	DIN-T
Component Type Power Distribution & Protection	Contactor
Rated Frequency	DC, 50/60/400 Hz
Coil Voltage, AC, Nom	240 V AC
Coil Voltage, DC, Nom	240 V DC
Contact Configuration	4 NO
Ui, Rated Insulation Voltage, AC	500 V AC
Ith, Thermal Current at 40°C	40 A
Ue, Rated Operational Voltage, AC	400 V AC
Ue, Rated Operational Voltage, DC	220 V DC
Ie, Rated Operational Current, AC-1, 230V, 1Ø	40 A@230V 1Ø
Ie, Rated Operational Current, AC-1, 240V	40 A@240V
Ie, Rated Operational Current, AC-1, 230V, 3Ø	40 A@230V 3Ø
Ie, Rated Operational Current, AC-1, 400V, 3Ø	40 A@400V 3Ø
Ie, Rated Operational Current, AC-3, 230V, 1Ø	22 A@230V 1Ø
Ie, Rated Operational Current, AC-3, 230V, 3Ø	22 A@230V 3Ø
Ie, Rated Operational Current, AC-3, 400V, 3Ø	22 A@400V 3Ø
Ie, Rated Operational Current, AC-7a, 230V, 1Ø	40 A@230V 1Ø
Ie, Rated Operational Current, AC-7a, 400V, 3Ø	40 A@400V 3Ø
Ie, Rated Operational Current, AC-7b, 230V, 1Ø	22 A@230V 1Ø
Ie, Rated Operational Current, AC-7b, 230V, 3Ø	22 A@230V 3Ø
Ie, Rated Operational Current, AC-7b, 400V, 3Ø	22 A@400V 3Ø
Pe, Rated Operational Power, AC 1, 230V AC, 1Ø	9.2 kW@230V 1Ø
Pe, Rated Operational Power, AC 1, 230V AC, 3Ø	15.9 kW@230V 3Ø
Pe, Rated Operational Power, AC 1, 240V AC, 1Ø	9.6 kW@240V 1Ø
Pe, Rated Operational Power, AC 1, 400V AC, 3Ø	27.7 kW@400V 3Ø
Pe, Rated Operational Power, AC 3, 230V AC, 1Ø	3.7 kW@230V 1Ø
Pe, Rated Operational Power, AC 3, 230V AC, 3Ø	6.4 kW@230V 3Ø

Catalogue No: **DTC4040240D**

DIN CONTACTOR 40A 4NO 240V AC/DC COIL

Power Distribution and Protection > Circuit Breakers > Miniature Circuit Breakers and Earth Leakage Protection (RCDs and RCBOs) > DIN-T Contactors > DIN-T DTC..D Contactors



Pe, Rated Operational Power, AC 3, 400V AC, 3Ø	11 kW@400V 3Ø
kW Rating, AC-7a, 230V, 1Ø	9.2 kW @230V 1Ø
kW Rating, AC-7a, 230V, 3Ø	15.9 kW @230V 3Ø
kW Rating, AC-7a, 400V, 3Ø	27.7 kW @400V 3Ø
kW Rating, AC-7b, 230V, 1Ø	3.7 kW @230V 1Ø
kW Rating, AC-7b, 230V, 3Ø	6.4 kW @230V 3Ø
kW Rating, AC-7b, 400V, 3Ø	11 kW @400V 3Ø
Ie, Rated Operational Current, DC-1, 24V, 3Pole	40 A@24V 3Pole
Ie, Rated Operational Current, DC-1, 48V, 3Pole	40 A@48V 3Pole
Ie, Rated Operational Current, DC-1, 110V, 3Pole	30 A@110V 3Pole
Ie, Rated Operational Current, DC-1, 220V, 3Pole	15 A@220V 3Pole
Ie, Rated Operational Current, DC-3, 24V, 3 Pole	40 A@24V 3Pole
Ie, Rated Operational Current, DC-3, 48V, 3 Pole	40 A@48V 3Pole
Ie, Rated Operational Current, DC-3, 110V, 3 Pole	18 A@110V 3Pole
Ie, Rated Operational Current, DC-3, 220V, 3 Pole	4.5 A@220V 3Pole
Coil Operating Limits Range acc. to IEC/EN60947-4-1	0.85 ... 1.1 x Coil Voltage (at $\theta \leq 55^\circ\text{C}$)
Coil Pull In Consumption	5 W
Coil Pull In Consumption 50Hz	4.5 VA
Coil Pull In Consumption 60Hz	4.5 VA
Coil Holding Consumption	4.5 W
Coil Holding Consumption 50Hz	4.5 VA
Coil Holding Consumption 60Hz	5 VA
Motor FLC, 220-240V, 3Ø	22 A
Motor FLC, 440-480V, 3Ø	21 A
Cmax, Compensating Capacity per Phase	350 μF
Power Loss Per Pole	3 W
Wire / Conductor Size (Min)	1 x 1.5mm ² & 2 x 1.5mm ² min
Wire / Conductor Size (Max)	1 x 25mm ² & 2 x 10mm ²
Tightening Torque (Main Circuit)	2.5 Nm
Wire / conductor size, control, min	1 x 1mm ² & 2 x 1mm ²
Wire / conductor size, control, max	1 x 4mm ² & 2 x 2.5mm ²
Tightening Torque (Control Circuit)	0.9 Nm
Vibration Rating IEC60068-2-6	1g/3-150 Hz
Shock (Half-Sine) Category	Category E
Shock (Half-Sine) Rating IEC/EN 60068-2-27 (Ea)	15g/11ms
Rated Making Capacity AC-3	10 x Ie /AC-3
Rated Breaking Capacity AC-3	8 x Ie /AC-3
Electrical Durability, AC-1/AC-7a	150000 Cycles
Electrical Durability, AC-3/AC-7b	150000 Cycles
Max. Electrical Switching Frequency, AC-1/AC-7a	300 Cycles/h
Max. Electrical Switching Frequency, AC-3/AC-7b	600 Cycles/h
Height	85 mm
Width	54 mm
Depth	58 mm
Operating Temperature, Min	-25 °C min
Operating Temperature, Max	55 °C max
Storage Temperature, Min	-40 °C min
Storage Temperature, Max	80 °C max
Altitude, Operating, Max	2000 m
Mechanical Durability	1000000 Cycles

Catalogue No: **DTC4040240D**

DIN CONTACTOR 40A 4NO 240V AC/DC COIL

Power Distribution and Protection > Circuit Breakers > Miniature Circuit Breakers and Earth Leakage Protection (RCDs and RCBOs) > DIN-T Contactors > DIN-T DTC..D Contactors



Standards Compliance

IEC 60947-1
IEC 60947-5-1

REFERENCES

IECEX Certificate -

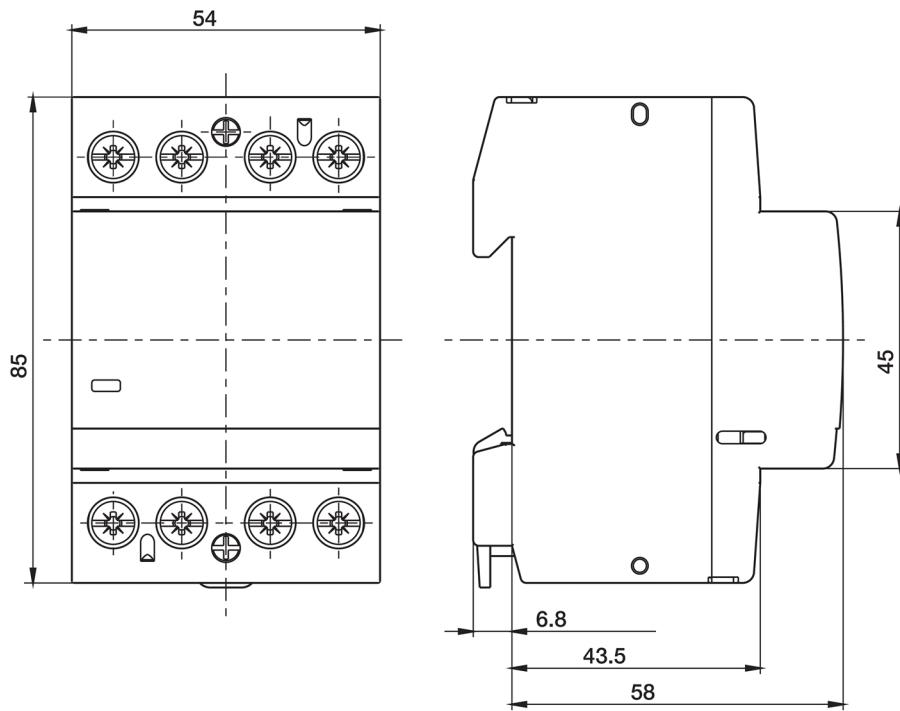
Supplier Declaration of Conformity: -

Installation Guide: [Lamp Load Table](#)

User Manual: -

Manufacturer Datasheet: -

Manufacturer Catalogue & Product Selection: -



Dimension Diagram

Catalogue No: **DTC4040240D**

DIN CONTACTOR 40A 4NO 240V AC/DC COIL

Power Distribution and Protection > Circuit Breakers > Miniature Circuit Breakers and Earth Leakage Protection (RCDs and RCBOs) > DIN-T Contactors > DIN-T DTC..D Contactors



Lamp Load Table

	DTC16..D	DTC20..D	DTC24..D	DTC40..D	DTC63..D
Rated Current (A)	16	20	25	40	63
Permitted compensating capacity per phase Cmax [µF]	45	75	100	350	500
Lamp types	Maximum load of the current paths during switching of electric lamps I _g [A]				
Incandescent and halogen lamps (230 V)	4	6	7	20	30
Mixing lamps without ballast	4	6	7	20	30
Fluorescent lamps with conventional ballast	Single lamp uncompensated	14	18	22	36
	Single lamp parallel compensated	2	3	3.5	10
	Series compensation, duo circuit	14	18	22	36
Fluorescent lamps with electronic ballast or CFL	4	6	7	20	30
LED lamps	4	6	7	20	30
High pressure mercury-vapor lamps	Single lamp without compensation	7	9	11	18
	Single lamp with parallel compensation	2	3	3.5	10
Halogen metal-vapor lamps	Single lamp without compensation	7	9	11	18
	Single lamp with parallel compensation	2	3	3.5	10
High pressure sodium-vapor lamps	Single lamp without compensation	7	9	11	18
	Single lamp with parallel compensation	2	3	3.5	10
Low pressure sodium-vapor lamps	Single lamp without compensation	7	9	11	18
	Single lamp with parallel compensation	2	3	3.5	10

Technical Diagram