

# AT9471

AT9471/SES/WW/GC

5W C35 LED Filament lamps. Dimmable, Clear lens

## Features

- Stylish filament lamp with Glass body
- Candle lamp (C35 shape)
- Energy efficient LED lamp
- Long Life
- No mercury Content
- Suitable replacement for halogen and incandescent lamps
- Suitable for use with dimmers



## ORDERING INFORMATION

<b>Order code</b>	18941
<b>Description</b>	5W CANDLE LED FILAMENT LAMP E14 WW DIMMABLE AMBER
<b>Driver Type</b>	Dimmable ( Phase cut)
<b>Item Code</b>	AT9471/SES/WW/GC

## MECHANICAL

<b>Adjustability</b>	Fixed
<b>Diffuser Material</b>	Glass
<b>Product Finish</b>	Clear
<b>Fitting Colour</b>	Amber
<b>IP Rating</b>	IP20

## ELECTRICAL

<b>Input Frequency</b>	50 Hz
<b>Input voltage</b>	230Vac
In Australia the Input voltage is defined as 230Vac -6%/+10%. This effectively means that the voltage range of these products are 216Vac - 253Vac or 240V +6%	
<b>Maximum Wattage</b>	5 W
<b>Power Factor</b>	0.7
<b>Switch Type</b>	Inline
<b>System Max Wattage</b>	5 W
<b>Working Temp Range</b>	-20 to 40 °C

## LAMP

<b>Beam Angle</b>	270 °
<b>Bulb Type</b>	C35
<b>CCT Configuration</b>	Single
<b>CRI</b>	>80
<b>Globe Base</b>	E14 / SES
<b>Globe Included</b>	Yes
<b>Led Package</b>	2835
<b>Number of Lamps</b>	1

## LED LIFETIME

<b>LED Lifetime</b>	15000 hrs
---------------------	-----------

This is the Reported LED Lifetime in Hours based on TM-21. Atom does not list the projected or calculated LED lifetime, which is normally longer as TM-21 Addendum B explicitly states "The Calculated and Projected Lp(Dk) are not to be reported". This Lifetime refers to the life of a single LED however the system life is longer since the probability and binomial distribution of all LEDs in the system means that the average led is performing above the specification and compensates for the LEDs falling below.

## COLOUR TEMPERATURE

<b>CCT</b>	2700 K
<b>CCT Colour</b>	Warm White
<b>System Lumens</b>	430 lm
All photometric data has a tolerance of ±10%.	

## DRIVER

<b>Dimmable</b>	Yes
<b>Driver Included</b>	Yes
<b>Integrated Driver</b>	Yes
<b>Driver Type</b>	Dimmable ( Phase cut)

## COMPLIANCE

<b>Product Design Life</b>	10 years
----------------------------	----------

The product design life relates to the total product life which includes LEDs, drivers and the enclosure. This is different to the LED lifetime which only refers to the economical lifetime of the LEDs at which time the lumen output has dropped below the L Value. The product design life is calculated at the maximum ambient or working temperature of the product and takes into account the Daily Use.

<b>Daily Use</b>	4 hrs
------------------	-------

The Daily Use is the recommended time required to meet the product's design life. Installations can exceed this time, however the product design life will be reduced proportionally.

<b>Standards</b>	AS/NZS 62560 IEC/TR 62778 AS CISPR 15
------------------	---

## WARRANTY

<b>Domestic Use Warranty</b>	1 (Yr) RTB
<b>VIP Warranty</b>	2 RTB (Total 2 Years)

VIP warranty is available to registered users and is subjected to additional terms and conditions.

<b>Warranty Operating Hours</b>	500 hrs
---------------------------------	---------

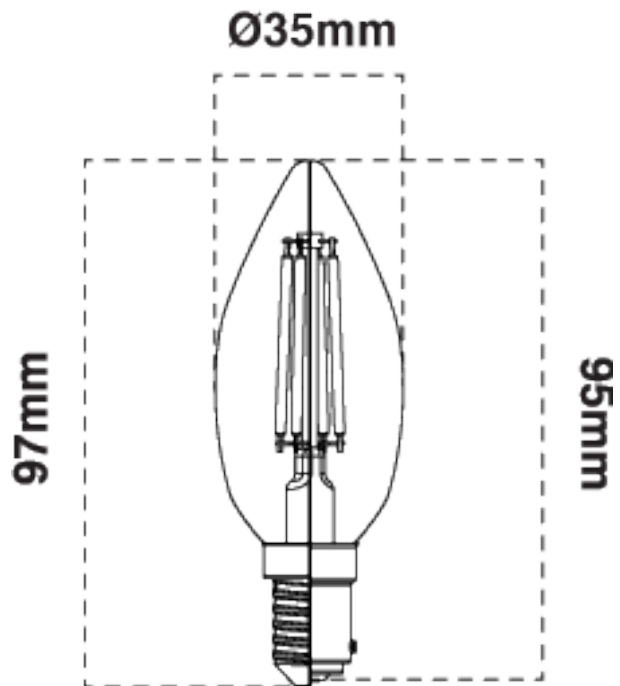
This product is provided with a warranty up until the stated warranty period or until the stated warranty operating hours has been reached (whichever occurs first).

## DIMENSIONS

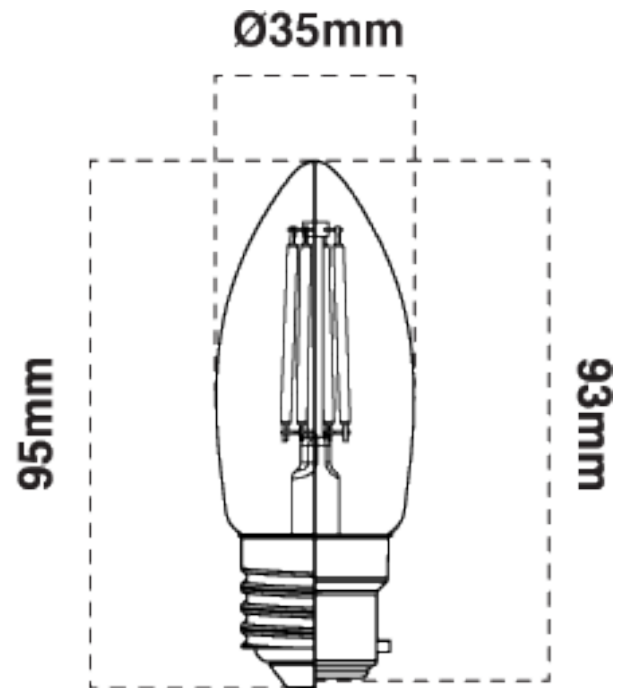
<b>Product Height</b>	100 mm
<b>Product Width</b>	35 mm

## LINE DRAWINGS

AT9471/SEC/SBC



AT9471/EC/BC



## PHOTOMETRICS

AT9471/SES/WW/GC

