



Replacement
Warranty

**15W, 24W, 35W TRICOLOUR DIMMABLE
IP54 ROUND SLIMLINE LED CEILING OYSTER LIGHT**

MLCO34515WD/MLCO34515MD/MLCO34524WD/MLCO34524MD/MLCO34535WD/MLCO34535MD

**WHITE
OR
MATT
BLACK**



Applications: Ideal for any residential or commercial interior space.

- Switchable between 3000K, 4000K & 5000K
- IP54 Weatherproof resistant
- Surface or wall mountable LED light
- Modern slimline round design
- Provides a uniform light-output using SMD LED technology
- Polycarbonate diffuser
- Integrated dimmable driver
- Rated LED Lifetime of 40,000 hours
- 2-Year Replacement Warranty



Tricolour



Dimmable



IP Rating



Energy Efficient



LED Lifetime



Light Output
15W

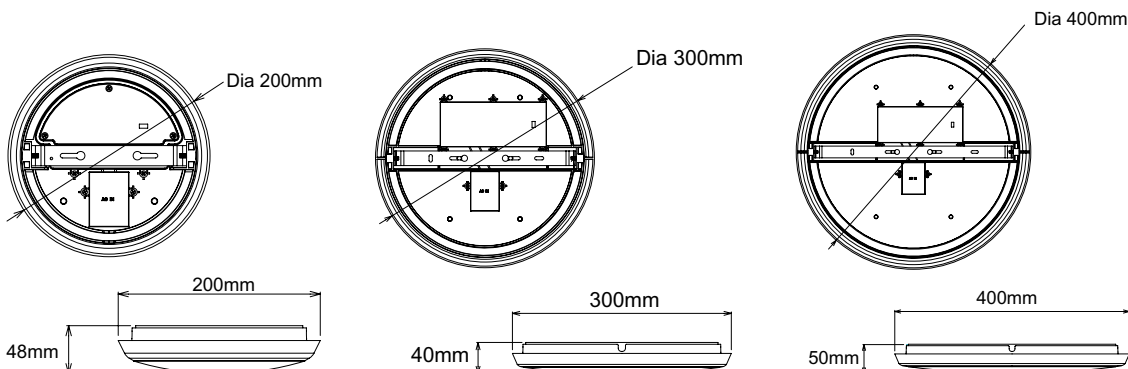


Light Output
24W



Light Output
35W

DIMENSIONS



SAA Approval No:
GMA-508276
Standards: AS/NZS 60598.1
AS/NZS 60598.2.2



15W, 24W, 35W TRICOLOUR DIMMABLE IP54 ROUND SLIMLINE LED CEILING OYSTER LIGHT

FEATURES

- Simple, round and slimline design LED oyster light
- Surface mounted LED ceiling light
- Dimmable with trailing edge dimmer
- Double insulation
- Fitted with tricolour that allows you to control the colour temperature of the light from 3000K, 4000K or 5000K
- High efficiency SMD LED technology for superior light output
- IP54 weatherproof
- Ideal for residential or commercial applications

*Martec dimmable ceiling oysters are compatible with Martec MTD350VAR & MTD350VAP dimmers (sold separately).

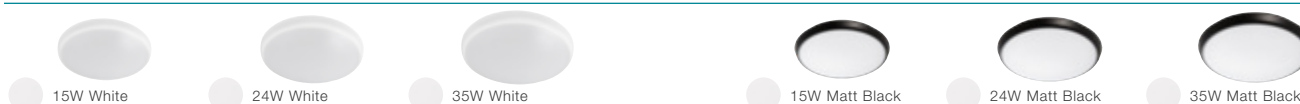


INSTALLATION

Installation	By licensed electrician only
Warranty	2 year replacement warranty

*For further information regarding warranty terms and conditions, please refer to enclosed warranty statement. Warranty is void unless installed by a licensed electrician.

AVAILABLE COLOURS



Model	Colour	Barcode	Model	Colour	Barcode
MLCO34515WD	15W White	9 312375 906377	MLCO34515MD	15W Matt Black	9 312375 906421
MLCO34524WD	24W White	9 312375 906384	MLCO34524MD	24W Matt Black	9 312375 906414
MLCO34535WD	35W White	9 312375 906391	MLCO34535MD	35W Matt Black	9 312375 906407

SPECIFICATIONS

Model name	Conrad
Model numbers	MLCO34515WD/MLCO34515MD 15W MLCO34524WD/MLCO34524MD 24W MLCO34535WD/MLCO34535MD 35W
Power wattage	15W, 24W, 35W
Input voltage	220-240V~50Hz
Material	Plastic with aluminium body + PC Diffuser
LED type	SMD
CRI	≥80
Beam Angle	120°
Tricolour	3000K, 4000K, 5000K
Lumens	15W: ≥1500lm 24W: ≥2300lm 35W: ≥3300lm
Product size	15W: Dia 200mm x H48mm 24W: Dia 300mm x H40mm 35W: Dia 400mm x H50mm
Dimmable	Yes, with trailing edge dimmer
IP rating	IP54

*Use with trailing edge dimmer

SHIPPING

MLCO34515WD/MLCO34515MD	
Packaging size	L580mm x W430mm x H230mm
Carton quantity	20 pcs
Gross weight	12.00kg
MLCO34524WD/MLCO34524MD	
Packaging size	L630mm x W325mm x H330
Carton quantity	12 pcs
Gross weight	13.00kg
MLCO34535WD/MLCO34535MD	
Packaging size	L500mm x W425mm x H430mm
Carton quantity	8 pcs
Gross weight	14.00kg