

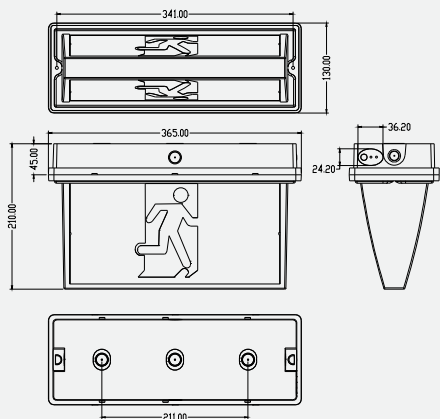


ESODO

ESD24M-IP65
SAP CODE: 2002085

Surface Mount LED IP65 EXIT fitting

The ESD24M-IP65 is a 24m viewing distance EXIT LED sign with weather and vandal resistant design.



QUICK FACTS

- 1.5W High efficient LED lamp provides long lifetime and low power consumption
- Robust weather and vandal resistant design
- Easy accessible manual test button
- Self charging Lithium Iron Phosphate battery
- Replaceable decals supplied (Go straight, go right, go left)
- AS/NZS 60598
- AS/NZS 2293.3
- 24m viewing distance
- 3 year warranty

SPECIFICATIONS

Supply Voltage	220-240V, 50/60Hz
Power consumption	1.5W
Max. power when charging	4W
Viewing distance	24M
Operating Ambient Temp.	0 to 40°C
Wiring	Wiring terminals
Lamp	LED
Battery Type	LiFePO4 3.2V 1.5Ah
Discharge Time	1.5 hours
Recharge Time	16 hours
EM Classification	C0: E6.3, C90: E6.3
IP	IP65
IK	IK10
Electrical Classification	Class II
Dimensions	376x80x232mm
Body Material	PC, PMMA
CCT	6500K
Lumen Output	35lm
CRI	80
Indicator light color	Green
Charger Operation	Continuous
Connection Type	110mm Flying Leads
Housing	Acrylic
Connection Insulation	PVC
Operation Mode	Maintained

Ceiling Mount

