

QUADRO PROFESSIONAL

EV-QUADRO-PRO-LK

Quadro Professional Bunker IP65, 3000-6500K, DALI

FEATURES

- IP65 weatherproof rating and Vandal-proof IK08 rating
- Power monitoring (DT51)
- LED Lifetime >120,000 hours
- 12 years design life at max. ambient
- DALI (IEC62386)
- Flicker-free dimming controlled by IEC 62386-102
- Power monitoring (DT51) reported over IEC 62386-252
- IEC 62386 over IEC 62386-104
- Flicker-free dimming controlled by DALI
- Emergency and non-emergency models
- Wireless meshing system

ORDERING INFORMATION	
Order code	17937
Description	Ektor Lynk Quadro LED bunker IP65 - PRO w/wireless
Driver Type	Wireless (IEC62386-104) with DT8 Dimmable
Wireless ~ Includes Wireless Driver with full support for DT6 and DT8-tc allowing flicker free dimming and colour control with compliant IEC62386-104 Application controllers.	
Item Code	EV-QUADRO-PRO-LK

MECHANICAL	
Body Material	Polycarbonate
Diffuser Material	Polycarbonate
IK Rating	IK08
Installation Type	Surface mount
IP Rating	IP65

ELECTRICAL	
Electrical Rating	Class I
Input Frequency	50 Hz
Input voltage	230Vac
In Australia the Input voltage is defined as 230Vac -6%/+10%. This effectively means that the voltage range of these products are 216Vac - 253Vac or 240V +6%	
Maximum Wattage	25 W
Power Factor	0.95



Standby Power	0.3 W
Standby power for non-maintained/switched maintained emergency devices is measured when the light is off and the charger is in standby mode. For maintained emergency devices, standby power is measured when the light is on and the charger is in standby mode. Typically, charging occurs for the first 16 hours after the device is powered or after a battery discharge.	
Switch Type	Inbuilt Mains Rated DALI Switch
A Terminal input has been provided to allow the wiring of a Main rated switch input. This input can be programmed to switch any controlled area when using a DALI-2 compliant control system. This input supports IEC62386-301 (momentary or rocker switches), IEC62386-302 (on /off switches) and IEC62386-303 (mains rated sensor inputs).	
Working Temp Range	0 to 40 °C

LAMP	
Macadam Steps (SDCM)	3-step MacAdam Ellipse
CCT Configuration	TUNEABLE WHITE
Full support for DALI-2 DT8 has been provided which allows White colour control on a compliant DALI-2 control system. This function can be used to set a desired colour or to transition between colours depending on the time of day.	
CRI	>84
Lamp/LED Current	650 mA
Lamp/LED voltage	36 V



LED LIFETIME

LED Lifetime >120000 hrs

This is the Reported LED Lifetime in Hours based on TM-21. Ektor does not list the projected or calculated LED lifetime, which is normally longer as TM-21 Addendum B explicitly states "The Calculated and Projected Lp(Dk) are not to be reported". This Lifetime refers to the life of a single LED however the system life is longer since the probability and binomial distribution of all LEDs in the system means that the average led is performing above the specification and compensates for the LEDs falling below.

Ambient Temp (°C)	25 °C	40 °C
L90B10	43000 hrs	43000 hrs
L80B10	90000 hrs	90000 hrs
L70B10	>120000 hrs	>120000 hrs

This rating defines the performance of the led within its lifetime. L relates to lumen depreciation, where the proceeding number gives the resultant lumen output at the end of it reported lifetime. L70, would mean 30% lumen depreciation which means 70% of its initial output and is tested accordingly to TM-21. The B part refers to failures, which can be define as the percentage of LEDs which fall below the L value in the projected lifetime. A value of B10 refers to 10% failure and a value of B50 refers to 50% failure. After the defined lifetime, the system will reach the defined lumen depreciation and the average led failures is defined by the B rating. The B rating is defined in and tested to IEC62717.

TM-21 Test Hours 20000 hrs

COLOUR TEMPERATURE

CCT 3000 to 6500

CCT Colour Tunable White

System Lumens >3200 lm

All photometric data has a tolerance of ±10%.

DRIVER

Dimmable Yes

Driver Included Yes

Integrated Driver No

Driver Type Wireless (IEC62386-104) with DT8 Dimmable

Wireless ~ Includes Wireless Driver with full support for DT6 and DT8-tc allowing flicker free dimming and colour control with compliant IEC62386-104 Application controllers.

Power Monitoring DALI Device type 51 power monitoring

Inbuilt DALI-2 support for Device type 51 - Power monitoring for use with DALI-2 compliant control systems which allows the reporting of the products total power consumption for power aggregation and measurements.

Wiring Type Re-wireable terminal block (6 pin)

COMPLIANCE

Product Design Life 12 years

The product design life relates to the total product life which includes LEDs, drivers and the enclosure. This is different to the LED lifetime which only refers to the economical lifetime of the LEDs at which time the lumen output has dropped below the L Value. The product design life is calculated at the maximum ambient or working temperature of the product and takes into account the Daily Use.

Standards	AS/NZS 60598.1 AS/NZS 60598.2.1 AS/NZS 61347.1 AS/NZS 61347.2.13 AS CISPR 15 AS/NZS 4268
------------------	---

WARRANTY

Commercial Use Warranty 5 RTB (Total 5 Years)

DIMENSIONS

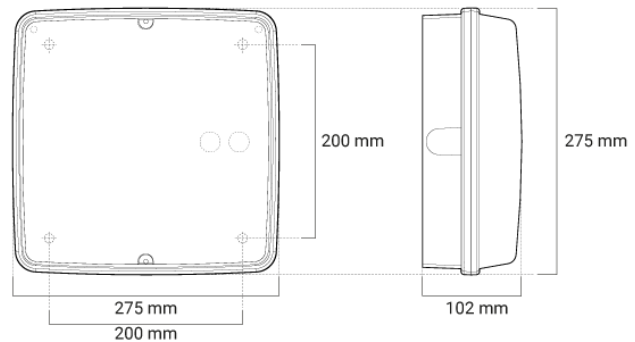
Product Height 102 mm

Product Length 275 mm

Product Width 275 mm

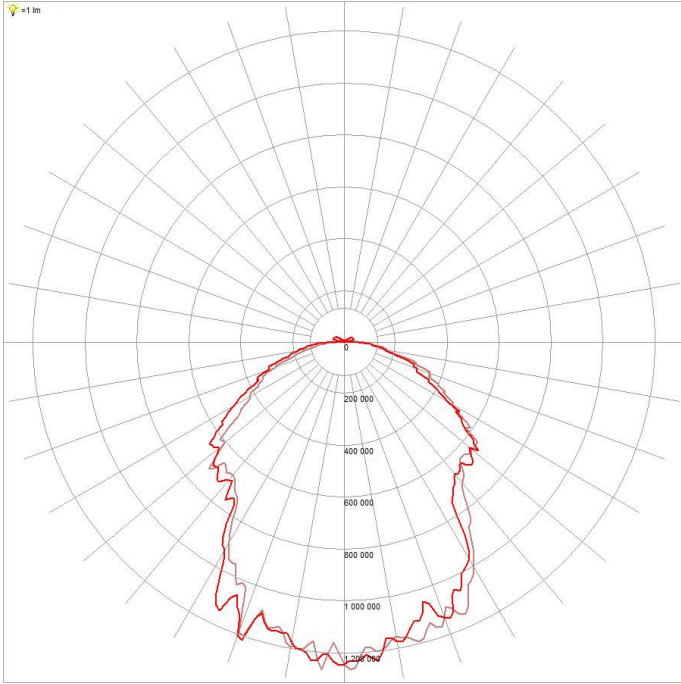
LINE DRAWINGS

EV/QUADRO/PRO

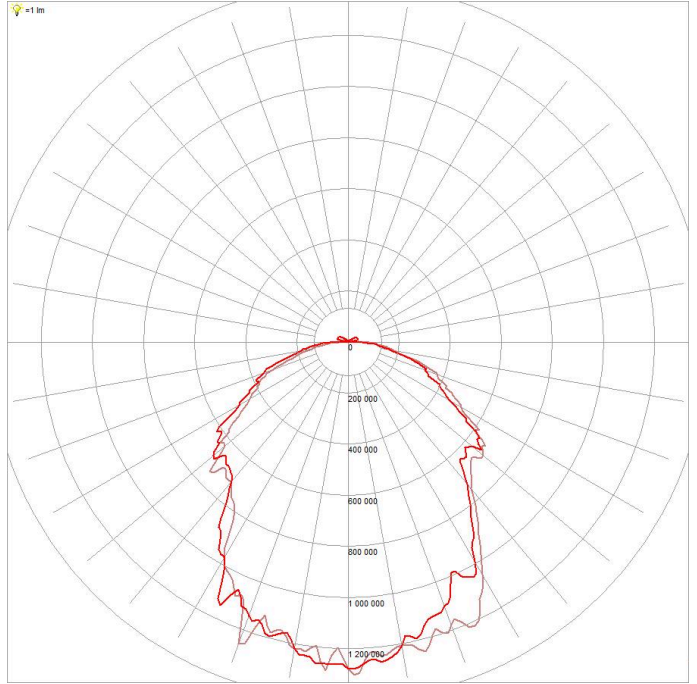


PHOTOMETRICS

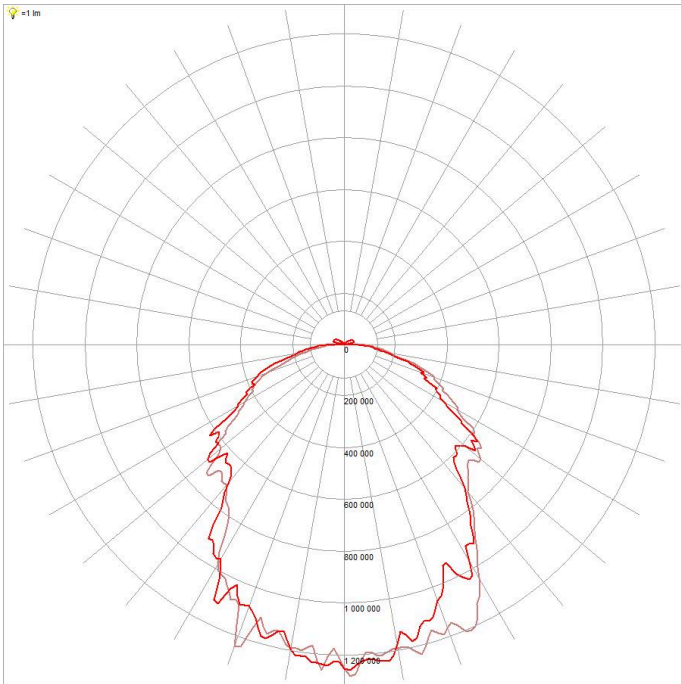
EV/QUADRO/PRO/3000K



EV/QUADRO/PRO/5000K



EV/QUADRO/PRO/6500K



EV/QUADRO/PRO/4000K

