



QUADRO PROFESSIONAL

EV-QUADRO-PRO-EM-S-LK

Quadro Professional Bunker IP65, 3000-6500K, DALI

FEATURES

- IP65 weatherproof rating and Vandal-proof IK08 rating
- Power monitoring (DT51)
- LED Lifetime >100,000 hours (L80/B20)
- 12 years design life at max. ambient
- DALI (IEC62386)
- Flicker-free dimming controlled by IEC 62386-102
- Power monitoring (DT51) reported over IEC 62386-252
- High Quality Lithium battery (LiFePO4) and smart charger
- Self-test (AS2293/IEC62034)
- Emergency models fully compliant (AS/NZS 2293.3)
- Soft-start charger to reduce building load on emergency models
- Microwave sensor suitable for DALI-2 supporting IEC 62386-303
- Corridor mode in standalone operation
- Wireless meshing system
- IEC 62386 over IEC 62386-104



ORDERING INFORMATION

| | |
|--|---|
| Order code | 17940 |
| Description | Ektor Lynk Quadro LED Emergency bunker IP65 w/corridor function sensor w/wireless - PRO |
| Driver Type | Wireless (IEC62386-104) with DT1 & DT8 Dimmable |
| Wireless ~ Includes Wireless Driver with full support for DT6 and DT8-tc allowing flicker free dimming and colour control with compliant IEC62386-104 Application controllers. | |
| Item Code | EV-QUADRO-PRO-EM-S-LK |

MECHANICAL

| | |
|--------------------------|---------------|
| Body Material | Polycarbonate |
| Diffuser Material | Polycarbonate |
| IK Rating | IK08 |
| Installation Type | Surface mount |
| IP Rating | IP65 |

ELECTRICAL

| | |
|---|---------------------------------|
| Electrical Rating | Class I |
| Input Frequency | 50 Hz |
| Input voltage | 230Vac |
| In Australia the Input voltage is defined as 230Vac -6%/+10%. This effectively means that the voltage range of these products are 216Vac - 253Vac or 240V +6% | |
| Maximum Wattage | 27 W |
| Power Factor | 0.95 |
| Standby Power | 0.3 W |
| Standby power for non-maintained/switched maintained emergency devices is measured when the light is off and the charger is in standby mode. For maintained emergency devices, standby power is measured when the light is on and the charger is in standby mode. Typically, charging occurs for the first 16 hours after the device is powered or after a battery discharge. | |
| Switch Type | Inbuilt Mains Rated DALI Switch |
| A Terminal input has been provided to allow the wiring of a Main rated switch input. This input can be programmed to switch any controlled area when using a DALI-2 compliant control system. This input supports IEC62386-301 (momentary or rocker switches), IEC62386-302 (on /off switches) and IEC62386-303 (mains rated sensor inputs). | |
| Working Temp Range | 0 to 40 °C |



LAMP

Macadam Steps (SDCM) 3-step MacAdam Ellipse

CCT Configuration TUNEABLE WHITE

Full support for DALI-2 DT8 has been provided which allows White colour control on a compliant DALI-2 control system. This function can be used to set a desired colour or to transition between colours depending on the time of day.

CRI >84

Lamp/LED Current 650 mA

Lamp/LED voltage 36 V

LED LIFETIME

LED Lifetime >120000 hrs

This is the Reported LED Lifetime in Hours based on TM-21. Ektor does not list the projected or calculated LED lifetime, which is normally longer as TM-21 Addendum B explicitly states "The Calculated and Projected Lp(Dk) are not to be reported". This Lifetime refers to the life of a single LED however the system life is longer since the probability and binomial distribution of all LEDs in the system means that the average led is performing above the specification and compensates for the LEDs falling below.

Ambient Temp (°C) 25 °C 40 °C

L90B10 43000 hrs 43000 hrs

L80B10 90000 hrs 90000 hrs

L70B10 >120000 hrs >120000 hrs

This rating defines the performance of the led within its lifetime. L relates to lumen depreciation, where the proceeding number gives the resultant lumen output at the end of it reported lifetime. L70, would mean 30% lumen depreciation which means 70% of its initial output and is tested accordingly to TM-21. The B part refers to failures, which can be define as the percentage of LEDs which fall below the L value in the projected lifetime. A value of B10 refers to 10% failure and a value of B50 refers to 50% failure. After the defined lifetime, the system will reach the defined lumen depreciation and the average led failures is defined by the B rating. The B rating is defined in and tested to IEC62717.

TM-21 Test Hours 20000 hrs

COLOUR TEMPERATURE

CCT 3000 to 6500

CCT Colour Tunable White

System Lumens >3200 lm

All photometric data has a tolerance of ±10%.

DRIVER

Dimmable Yes

Driver Included Yes

Integrated Driver No

Driver Type Wireless (IEC62386-104) with DT1 & DT8 Dimmable

Wireless ~ Includes Wireless Driver with full support for DT6 and DT8-tc allowing flicker free dimming and colour control with compliant IEC62386-104 Application controllers.

Power Monitoring DALI Device type 51 power monitoring

Inbuilt DALI-2 support for Device type 51 - Power monitoring for use with DALI-2 compliant control systems which allows the reporting of the products total

power consumption for power aggregation and measurements.

Wiring Type Re-wireable terminal block (6 pin)

SENSOR (S SUFFIX)

Adjustable Detection Area / Sensitivity Yes

Adjustable Hold Time Yes

Adjustable Standby Level Yes

Adjustable Standby Period Yes

Corridor Function Yes

Dawn Reset No

Detection Range 10 m

Dusk Mode No

Lux Adjustment No

Manual Override Yes

Sensor Communication DALI 2

Inbuilt DALI-2 Sensor for use with DALI-2 Compliant control systems. Some features and functions are only available for use with DALI-2 Application controllers which support the features. This product also supports a standalone mode for limited use without a DALI-2 application controller.

Sensor Type Microwave

Switched Output No

Time Delay Via DALI

EMERGENCY (EM SUFFIX)

Replacement Battery Code 01302

Emergency Classification C0:D50, C90:D50

Emergency Control IEC62386-104 (Wireless DT1)

IEC62386-104 ~ Supports wireless test and monitoring over IEC62386-104 using IEC62386-202.

Emergency Duration 90 mins

Emergency Mode Maintained

COMPLIANCE

Product Design Life 12 years

The product design life relates to the total product life which includes LEDs, drivers and the enclosure. This is different to the LED lifetime which only refers to the economical lifetime of the LEDs at which time the lumen output has dropped below the L Value. The product design life is calculated at the maximum ambient or working temperature of the product and takes into account the Daily Use.

Standards AS/NZS 60598.1
AS 60598.2.22
AS/NZS 61347.1
AS/NZS 61347.2.13
AS CISPR 15
AS/NZS 2293.3
AS/NZS 4268

WARRANTY

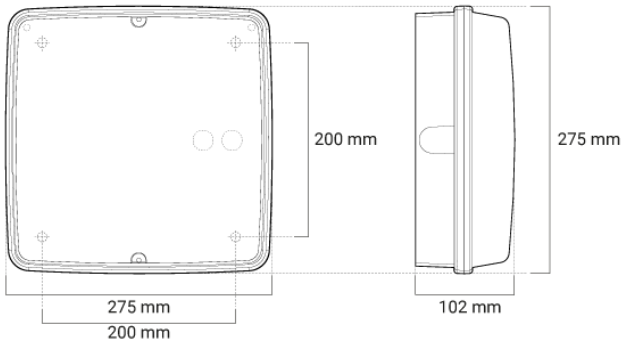
| | |
|--------------------------------|--|
| Commercial Use Warranty | 5Y return to base on General lighting components 8Y return to base on Emergency lighting components |
|--------------------------------|--|

DIMENSIONS

| | |
|-----------------------|--------|
| Product Height | 102 mm |
| Product Length | 275 mm |
| Product Width | 275 mm |

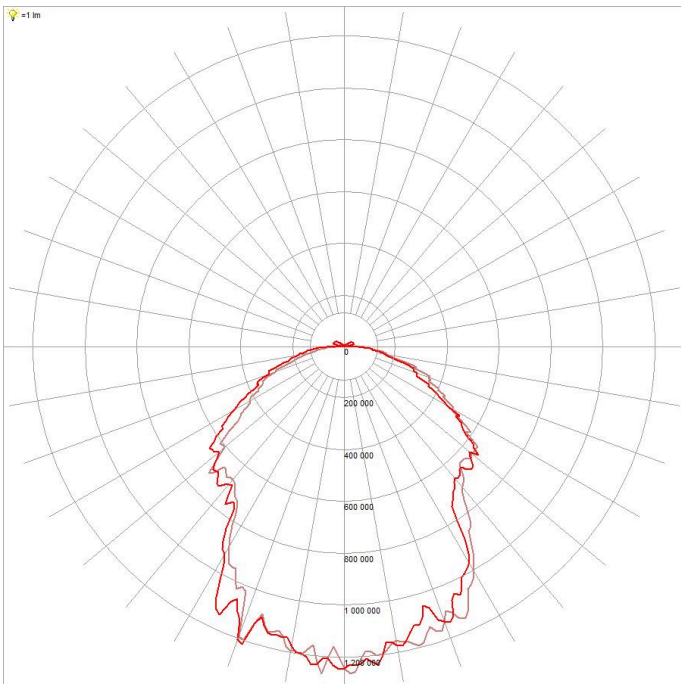
LINE DRAWINGS

EV/QUADRO/PRO

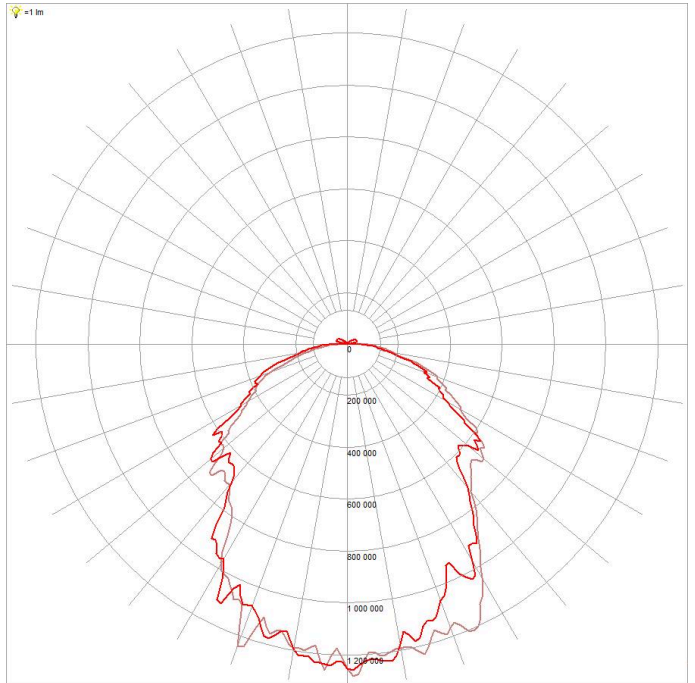


PHOTOMETRICS

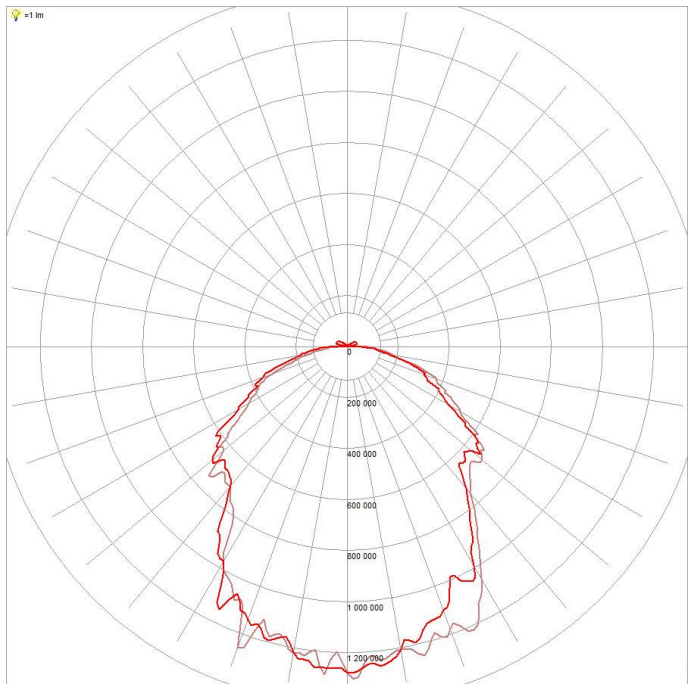
EV/QUADRO/PRO/3000K



EV/QUADRO/PRO/6500K



EV/QUADRO/PRO/5000K



EV/QUADRO/PRO/4000K

