

LED FIRE PRO

EV-LED FIRE-PRO-LK

Professional Emergency Luminaire

FEATURES

- Non-maintained operation
- Soft-start charger to reduce building load
- Lowest energy consumption (avg. <0.25W)
- Selectable discharge rating for hazardous areas
- Fast emergency switch-over (<0.5s) for high-task areas
- Long life electronics
- 12 years design life at max. ambient
- High Quality Lithium battery (LiFePO4) and smart charger
- Standalone (SPU)
- Self test (AS2293/ IEC62034)
- DALI (IEC62386)
- Ektor wired monitored system
- Wireless monitoring via Ektor Lynk
- Wireless meshing system

ORDERING INFORMATION

Order code	10252
Description	Ektor Lynk Ledfire Emergency Luminaire - D63 - PRO W/wireless
Driver Type	Wireless (IEC62386-104) with DT1
Item Code	EV-LED FIRE-PRO-LK

MECHANICAL

Body Material	Polycarbonate
Fitting Colour	White
Installation Type	Recessed
IP Rating	IP20

ELECTRICAL

Electrical Rating	Class II
Input Frequency	50 Hz
Input voltage	230Vac
In Australia the Input voltage is defined as 230Vac -6%/+10%. This effectively means that the voltage range of these products are 216Vac - 253Vac or 240V +6%	
Maximum Wattage	2.5 W
Standby Power	0.25 W

Standby power for non-maintained/switched maintained emergency devices is measured when the light is off and the charger is in standby mode. For



maintained emergency devices, standby power is measured when the light is on and the charger is in standby mode. Typically, charging occurs for the first 16 hours after the device is powered or after a battery discharge.

Working Temp Range	0 to 40 °C
---------------------------	------------

DRIVER

Dimmable	No
Driver Included	Yes
Driver Type	Wireless (IEC62386-104) with DT1
Flex & Plug or Lead Length	1200 mm
Wiring Type	Re-wireable Flex & Plug (2 pin)

EMERGENCY (EM SUFFIX)

Replacement Battery Code	01303
Emergency Classification	C0:D63, C90:D63
Emergency Control	IEC62386-104 (Wireless DT1)
IEC62386-104 ~ Supports wireless test and monitoring over IEC62386-104 using IEC62386-202.	
Emergency Duration	90 mins
Emergency Lumen Output	380 lm
Emergency Mode	Non-Maintained
Emergency Output Power	4300 mW

COMPLIANCE

Product Design Life 12 years

The product design life relates to the total product life which includes LEDs, drivers and the enclosure. This is different to the LED lifetime which only refers to the economical lifetime of the LEDs at which time the lumen output has dropped below the L Value. The product design life is calculated at the maximum ambient or working temperature of the product and takes into account the Daily Use.

Standards AS/NZS 60598.1
AS 60598.2.22
AS/NZS 61347.1
AS/NZS 61347.2.13
AS CISPR 15
AS/NZS 2293.3

WARRANTY

Commercial Use Warranty 8 RTB (Total 8 Years)

DIMENSIONS

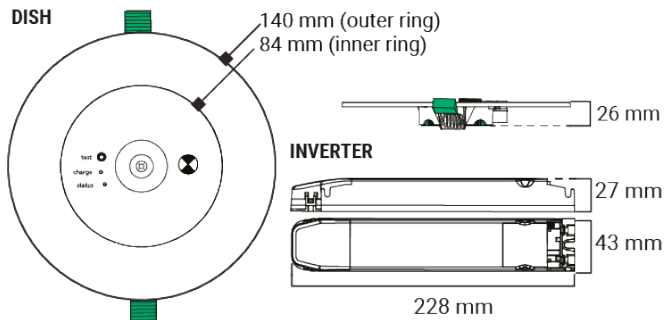
Cutout 70 (inner), 75-130 (outer) mm

Product Diameter 84 mm

Product Height 16 mm

LINE DRAWINGS

EV/LEDFIRE/PRO



PHOTOMETRICS

EV/LEDFIRE/PRO_01694_2hr

