

Catalogue No: ISO3160PYS

ISO ENCLOSED SWITCH 3P 160A GREY POLY RED HANDLE

Power Distribution and Protection > Isolators and Transfer Switches > Enclosed Isolating Switches > Socomec ISO Enclosed Isolating Switch Disconnectors > Polyester Enclosed ISO Switch Disconnectors > 3P Polyester ISO Switch



ISO Switch 160A, 3P Yellow colour Polyester enclosure with Red handle

- IP65 rating combined with selection of polycarbonate, polyester, aluminium and stainless steel, has any environment, indoor or outdoor, covered
- Easy to install and operate
- Choice of larger enclosures for increased wiring space
- Door interlock when switch is in ON position preventing the unauthorized removal of the enclosure cover for added safety
- Switch centering system for an easy closing of the enclosure
- Up to 3 padlocks in OFF position for added security
- Snap-on accessories – couldn't be any easier or quicker to install

Representative Photo Only
(actual product may vary based on configuration selections)

SPECIFICATIONS

Component Type Power Distribution & Protection	Enclosed Isolating Switch
Number of Poles	3
In, Rated Current	160 A
Enclosure Type	PEE3 type
Ui, Rated Insulation Voltage	800 V (rms)
Uimp, Impulse Withstand Voltage	8 kV
Rated Frequency	50 / 60 Hz
Ie, Rated Operational Current, AC-20a, 415V	160 A@415V
Ie, Rated Operational Current, AC-21a, 415V	160 A@415V
Ie, Rated Operational Current, AC-22a, 415V	160 A@415V
Ie, Rated Operational Current, AC-22b, 415V	160 A@415V
Ie, Rated Operational Current, AC-23a, 415V	160 A@415V
Ie, Rated Operational Current, AC-23b, 415V	160 A@415V
Ie, Rated Operational Current, DC-20a, 440V	160 A@440V
Ie, Rated Operational Current, DC-20b, 220V	160 A@220V
Ie, Rated Operational Current, DC-20b, 440V	160 A@440V
Ie, Rated Operational Current, DC-21a, 220V	160 A@220V
Ie, Rated Operational Current, DC-21a, 440V	160 A@440V
Ie, Rated Operational Current, DC-21a, 500V	125 A@500V
Ie, Rated Operational Current, DC-21b, 220V	160 A@220V
Ie, Rated Operational Current, DC-21b, 440V	160 A@440V
Ie, Rated Operational Current, DC-21b, 500V	125 A@500V
Ie, Rated Operational Current, DC-22a, 220V	160 A@220V
Ie, Rated Operational Current, DC-22a, 440V	125 A@440V
Ie, Rated Operational Current, DC-22b, 220V	160 A@220V
Ie, Rated Operational Current, DC-22b, 440V	125 A@440V
Ie, Rated Operational Current, DC-23a, 220V	125 A@220V
Ie, Rated Operational Current, DC-23b, 220V	125 A@220V

Catalogue No: **ISO3160PYS**

ISO ENCLOSED SWITCH 3P 160A GREY POLY RED HANDLE

Power Distribution and Protection > Isolators and Transfer Switches > Enclosed Isolating Switches > Socomec ISO Enclosed Isolating Switch Disconnectors > Polyester Enclosed ISO Switch Disconnectors > 3P Polyester ISO Switch



kW Rating, AC-23a, 415V, 3ph	80 kW @415V
Current, Short Circuit Withstand With Backup Fuse, Peak	20 kA
Current, Short Circuit Withstand With Backup Fuse, RMS	100 kA
Icw, Short Time Withstand Current, 300ms (rms)	15 kA, 300ms
Icw, short time withstand current, 1s (rms)	7 kA for 1s
Icw, Rated Short-Circuit Withstand Capacity 415V AC	20 A
Backup Fuse Current Rating	160 A
Padlockable	Yes, OFF Position Only
IP Rating	IP65
Material, Body / Housing	Polyester material
Colour, Body / Housing	Yellow colour
Colour, Handle	Red colour
Neutral Pole (Optional)	NB160000
Wire / Conductor Size (Min)	50 mm ² min
Wire / Conductor Size (Max)	95 mm ²
Mechanical Service Life	10000 cycles
Operating Effort	6.5 Nm
Height	360 mm
Width	270 mm
Depth	176 mm
Weight	1.5 kg

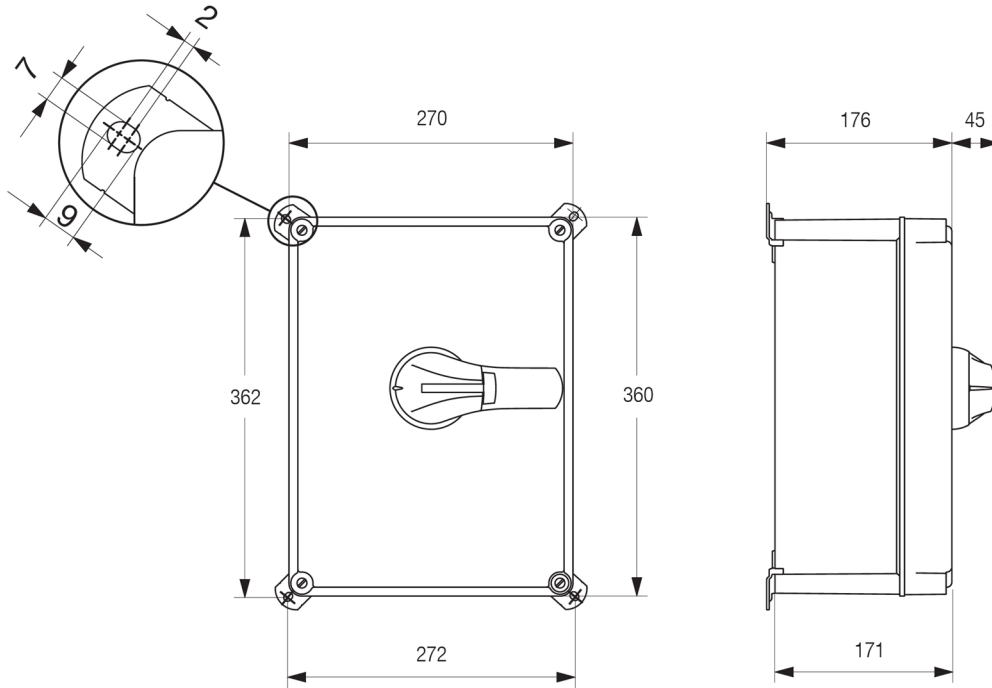
REFERENCES

IECEX Certificate	-
Supplier Declaration of Conformity:	Polyester Declaration of Conformity
Installation Guide:	-
User Manual:	-
Manufacturer Datasheet:	-
Manufacturer Catalogue & Product Selection:	-

Catalogue No: **ISO3160PYS**

ISO ENCLOSED SWITCH 3P 160A GREY POLY RED HANDLE

Power Distribution and Protection > Isolators and Transfer Switches > Enclosed Isolating Switches > Socomec ISO Enclosed Isolating Switch Disconnectors > Polyester Enclosed ISO Switch Disconnectors > 3P Polyester ISO Switch



Dimensions: mm

Dimension Diagram