

Catalogue No: **ISO325PYS**

ISO ENCLOSED SWITCH 3P 25A YELLOW POLY RED HANDLE

Power Distribution and Protection > Isolators and Transfer Switches > Enclosed Isolating Switches > Socomec ISO Enclosed Isolating Switch Disconnectors > Polycarbonate Enclosed ISO Switch Disconnectors > 3P Polycarbonate ISO Switch



ISO Switch 25A, 3P Yellow colour Polycarbonate enclosure with Red handle

- IP65 rating combined with selection of polycarbonate, polyester, aluminium and stainless steel, has any environment, indoor or outdoor, covered
- Easy to install and operate
- Choice of larger enclosures for increased wiring space
- Door interlock when switch is in ON position preventing the unauthorized removal of the enclosure cover for added safety
- Switch centering system for an easy closing of the enclosure
- Up to 3 padlocks in OFF position for added security
- Snap-on accessories – couldn't be any easier or quicker to install

Representative Photo Only
(actual product may vary based on configuration selections)

SPECIFICATIONS

| | |
|-----------------------------------------------------|-----------------------------|
| Component Type Power Distribution & Protection | Enclosed Isolating Switch |
| Number of Poles | 3 |
| In, Rated Current | 25 A |
| Enclosure Type | PCE1 type |
| Ui, Rated Insulation Voltage | 690 V (rms) |
| Uimp, Impulse Withstand Voltage | 6 kV |
| Rated Frequency | 50 / 60 Hz |
| Ie, Rated Operational Current, AC-21a, 415V | 25 A@415V |
| Ie, Rated Operational Current, AC-21a, 690V | 25 A@690V |
| Ie, Rated Operational Current, AC-23a, 415V | 20 A@415V |
| Ie, Rated Operational Current, AC-23a, 690V | 12 A@690V |
| kW Rating, AC-3, 415V | 16 kW @415V |
| kW Rating, AC-23a, 415V, 3ph | 9.5 kW @415V |
| kW Rating, AC-23a, 690V, 3ph | 12 kW @690V |
| Icw, Short Time Withstand Current, 300ms (rms) | 0.68 kA, 300ms |
| Icw, short time withstand current, 1s (rms) | 0.34 kA for 1s |
| Icw, Rated Short-Circuit Withstand Capacity 415V AC | 6 A |
| Backup Fuse Current Rating | 25 A |
| Padlockable | Yes, OFF Position Only |
| IP Rating | IP65 |
| Material, Body / Housing | PC (Polycarbonate) material |
| Colour, Body / Housing | Yellow colour |
| Colour, Handle | Red colour |
| Neutral Pole (Optional) | 21155005 |
| Wire / Conductor Size (Min) | 2.5 mm ² min |
| Wire / Conductor Size (Max) | 10 mm ² |
| Mechanical Service Life | 100000 cycles |
| Tightening Torque, Max | 3 Nm |

Catalogue No: ISO325PYS

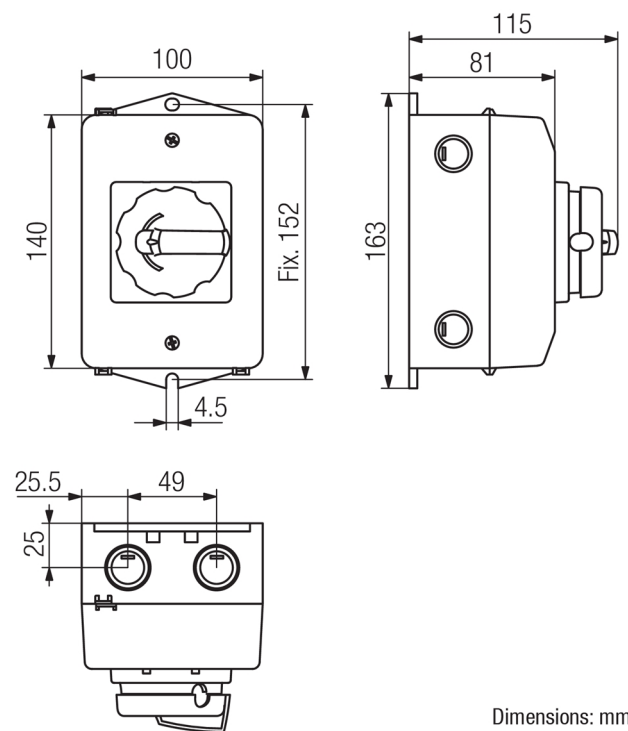
ISO ENCLOSED SWITCH 3P 25A YELLOW POLY RED HANDLE

Power Distribution and Protection > Isolators and Transfer Switches > Enclosed Isolating Switches > Socomec ISO Enclosed Isolating Switch Disconnectors > Polycarbonate Enclosed ISO Switch Disconnectors > 3P Polycarbonate ISO Switch



| | |
|------------------|----------|
| Operating Effort | 1 Nm |
| Height | 140 mm |
| Width | 100 mm |
| Depth | 81 mm |
| Weight | 0.386 kg |

| REFERENCES | |
|---------------------------------------------|---------------------------------------------------------|
| IECEx Certificate | - |
| Supplier Declaration of Conformity: | Polycarbonate Declaration of Conformity |
| Installation Guide: | - |
| User Manual: | - |
| Manufacturer Datasheet: | - |
| Manufacturer Catalogue & Product Selection: | - |



Dimension Diagram