

Catalogue No: ISO325PGS

ISO ENCLOSED SWITCH 3P 25A GREY POLY BLUE HANDLE

Power Distribution and Protection > Isolators and Transfer Switches > Enclosed Isolating Switches > Socomec ISO Enclosed Isolating Switch Disconnectors > Polycarbonate Enclosed ISO Switch Disconnectors > 3P Polycarbonate ISO Switch



ISO Switch 25A, 3P Grey colour Polycarbonate enclosure with Blue handle

- IP65 rating combined with selection of polycarbonate, polyester, aluminium and stainless steel, has any environment, indoor or outdoor, covered
- Easy to install and operate
- Choice of larger enclosures for increased wiring space
- Door interlock when switch is in ON position preventing the unauthorized removal of the enclosure cover for added safety
- Switch centering system for an easy closing of the enclosure
- Up to 3 padlocks in OFF position for added security
- Snap-on accessories – couldn't be any easier or quicker to install

Representative Photo Only
(actual product may vary based on configuration selections)

SPECIFICATIONS

Component Type Power Distribution & Protection	Enclosed Isolating Switch
Number of Poles	3
In, Rated Current	25 A
Enclosure Type	PCE1 type
Ui, Rated Insulation Voltage	690 V (rms)
Uimp, Impulse Withstand Voltage	6 kV
Rated Frequency	50 / 60 Hz
Ie, Rated Operational Current, AC-21a, 415V	25 A@415V
Ie, Rated Operational Current, AC-21a, 690V	25 A@690V
Ie, Rated Operational Current, AC-22a, 415V	25 A@415V
Ie, Rated Operational Current, AC-23a, 415V	20 A@415V
Ie, Rated Operational Current, AC-23a, 690V	12 A@690V
kW Rating, AC-3, 415V	16 kW @415V
kW Rating, AC-3, 690V, 40°C	9.5 kW @690V, 40°C
kW Rating, AC-23a, 415V, 3ph	9.5 kW @415V
kW Rating, AC-23a, 690V, 3ph	12 kW @690V
Current, Short Circuit Withstand With Backup Fuse, RMS	6 kA
Icw, Short Time Withstand Current, 300ms (rms)	0.68 kA, 300ms
Icw, short time withstand current, 1s (rms)	0.34 kA for 1s
Icw, Rated Short-Circuit Withstand Capacity 415V AC	6 A
Backup Fuse Current Rating	25 A
Padlockable	Yes, OFF Position Only
IP Rating	IP65
Material, Body / Housing	PC (Polycarbonate) material
Colour, Body / Housing	Grey colour
Colour, Handle	Blue colour
Neutral Pole (Optional)	21155005
Wire / Conductor Size (Min)	2.5 mm ² min

Catalogue No: **ISO325PGS**

ISO ENCLOSED SWITCH 3P 25A GREY POLY BLUE HANDLE

Power Distribution and Protection > Isolators and Transfer Switches > Enclosed Isolating Switches > Socomec ISO Enclosed Isolating Switch Disconnectors > Polycarbonate Enclosed ISO Switch Disconnectors > 3P Polycarbonate ISO Switch



Wire / Conductor Size (Max)	10 mm ²
Mechanical Service Life	100000 cycles
Tightening Torque, Max	3 Nm
Operating Effort	1 Nm
Height	140 mm
Width	100 mm
Depth	81 mm
Weight	0.386 kg

REFERENCES

IECEX Certificate

-

Supplier Declaration of Conformity:

[Polycarbonate Declaration of Conformity](#)

Installation Guide:

-

User Manual:

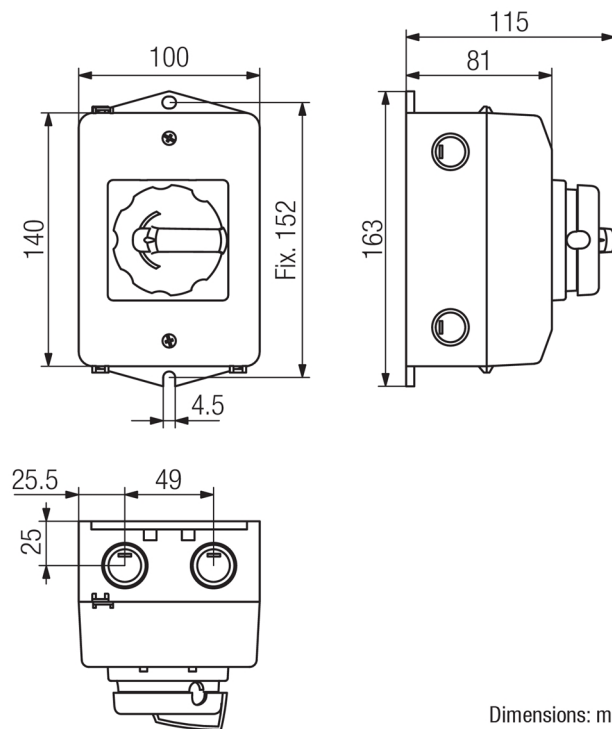
-

Manufacturer Datasheet:

-

Manufacturer Catalogue & Product Selection:

-



Dimension Diagram