

Catalogue No: **ISO340PGS**

ISO ENCLOSED SWITCH 3P 40A GREY POLY BLUE HANDLE

Power Distribution and Protection > Isolators and Transfer Switches > Enclosed Isolating Switches > Socomec ISO Enclosed Isolating Switch Disconnectors > Polycarbonate Enclosed ISO Switch Disconnectors > 3P Polycarbonate ISO Switch



ISO Switch 40A, 3P Grey colour Polycarbonate enclosure with Blue handle

- IP65 rating combined with selection of polycarbonate, polyester, aluminium and stainless steel, has any environment, indoor or outdoor, covered
- Easy to install and operate
- Choice of larger enclosures for increased wiring space
- Door interlock when switch is in ON position preventing the unauthorized removal of the enclosure cover for added safety
- Switch centering system for an easy closing of the enclosure
- Up to 3 padlocks in OFF position for added security
- Snap-on accessories – couldn't be any easier or quicker to install

Representative Photo Only
(actual product may vary based on configuration selections)

SPECIFICATIONS

Component Type Power Distribution & Protection	Enclosed Isolating Switch
Number of Poles	3
In, Rated Current	40 A
Enclosure Type	PCE1 type
Ui, Rated Insulation Voltage	690 V (rms)
Uimp, Impulse Withstand Voltage	6 kV
Rated Frequency	50 / 60 Hz
Ie, Rated Operational Current, AC-21a, 415V	40 A@415V
Ie, Rated Operational Current, AC-21a, 690V	40 A@690V
Ie, Rated Operational Current, AC-22a, 415V	40 A@415V
Ie, Rated Operational Current, AC-23a, 415V	40 A@415V
Ie, Rated Operational Current, AC-23a, 690V	18 A@690V
kW Rating, AC-3, 415V	22 kW @415V
kW Rating, AC-3, 690V, 40°C	13 kW @690V, 40°C
kW Rating, AC-23a, 415V, 3ph	20 kW @415V
kW Rating, AC-23a, 690V, 3ph	18 kW @690V
Current, Short Circuit Withstand With Backup Fuse, RMS	6 kA
Icw, Short Time Withstand Current, 300ms (rms)	1.28 kA, 300ms
Icw, short time withstand current, 1s (rms)	0.64 kA for 1s
Icw, Rated Short-Circuit Withstand Capacity 415V AC	6 A
Backup Fuse Current Rating	40 A
Padlockable	Yes, OFF Position Only
IP Rating	IP65
Material, Body / Housing	PC (Polycarbonate) material
Colour, Body / Housing	Grey colour
Colour, Handle	Blue colour
Neutral Pole (Optional)	21155007
Wire / Conductor Size (Min)	2.5 mm ² min

Catalogue No: ISO340PGS

ISO ENCLOSED SWITCH 3P 40A GREY POLY BLUE HANDLE

Power Distribution and Protection > Isolators and Transfer Switches > Enclosed Isolating Switches > Socomec ISO Enclosed Isolating Switch Disconnectors > Polycarbonate Enclosed ISO Switch Disconnectors > 3P Polycarbonate ISO Switch



Wire / Conductor Size (Max)	10 mm ²
Mechanical Service Life	100000 cycles
Tightening Torque, Max	3 Nm
Operating Effort	1 Nm
Height	140 mm
Width	100 mm
Depth	81 mm
Weight	0.386 kg

REFERENCES

IECEX Certificate -

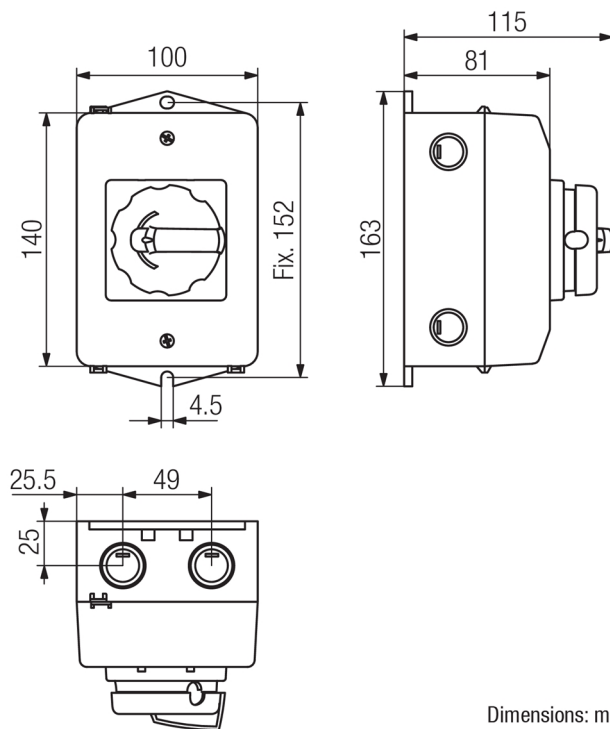
Supplier Declaration of Conformity: [Polycarbonate Declaration of Conformity](#)

Installation Guide: -

User Manual: -

Manufacturer Datasheet: -

Manufacturer Catalogue & Product Selection: -



Dimension Diagram