



ISO Switch 160A, 3P Yellow colour Aluminium enclosure with Red handle

- IP65 rating combined with selection of polycarbonate, polyester, aluminium and stainless steel, has any environment, indoor or outdoor, covered
- Easy to install and operate
- Choice of larger enclosures for increased wiring space
- Door interlock when switch is in ON position preventing the unauthorized removal of the enclosure cover for added safety
- Switch centering system for an easy closing of the enclosure
- Up to 3 padlocks in OFF position for added security
- Snap-on accessories – couldn't be any easier or quicker to install

Representative Photo Only
(actual product may vary based on configuration selections)

SPECIFICATIONS

| | | |
|---|---------------------------------|---------------------------|
| Component Type | Power Distribution & Protection | Enclosed Isolating Switch |
| Number of Poles | | 3 |
| In, Rated Current | | 160 A |
| Enclosure Type | | ALE5 type |
| Rated Frequency | | 50 / 60 Hz |
| Ie, Rated Operational Current, AC-20a, 415V | | 160 A@415V |
| Ie, Rated Operational Current, AC-20b, 415V | | 160 A@415V |
| Ie, Rated Operational Current, AC-21a, 415V | | 160 A@415V |
| Ie, Rated Operational Current, AC-22a, 415V | | 160 A@415V |
| Ie, Rated Operational Current, AC-22b, 415V | | 160 A@415V |
| Ie, Rated Operational Current, AC-23a, 415V | | 160 A@415V |
| Ie, Rated Operational Current, AC-23b, 415V | | 160 A@415V |
| kW Rating, AC-23a, 415V, 3ph | | 80 kW @415V |
| Icw, Short Time Withstand Current, 300ms (rms) | | 15 kA, 300ms |
| Icw, short time withstand current, 1s (rms) | | 7 kA for 1s |
| Icw, Rated Short-Circuit Withstand Capacity 415V AC | | 20 A |
| Icn, Rated Short-Circuit Capacity AC-23a, 415V | | 160 A @415V |
| Backup Fuse Current Rating | | 160 A |
| Padlockable | | Yes, OFF Position Only |
| IP Rating | | IP65 |
| Material, Body / Housing | | Aluminium material |
| Colour, Body / Housing | | Yellow colour |
| Colour, Handle | | Red colour |
| Neutral Pole (Optional) | | NB160000 |
| Wire / Conductor Size (Min) | | 50 mm ² min |
| Wire / Conductor Size (Max) | | 95 mm ² |
| Mechanical Service Life | | 100000 cycles |
| Operating Effort | | 6.5 Nm |

Catalogue No: **ISO3160MYS**

ISO ENCLOSED SWITCH 3P 160A GREY ALUM YEL/RED HANDLE

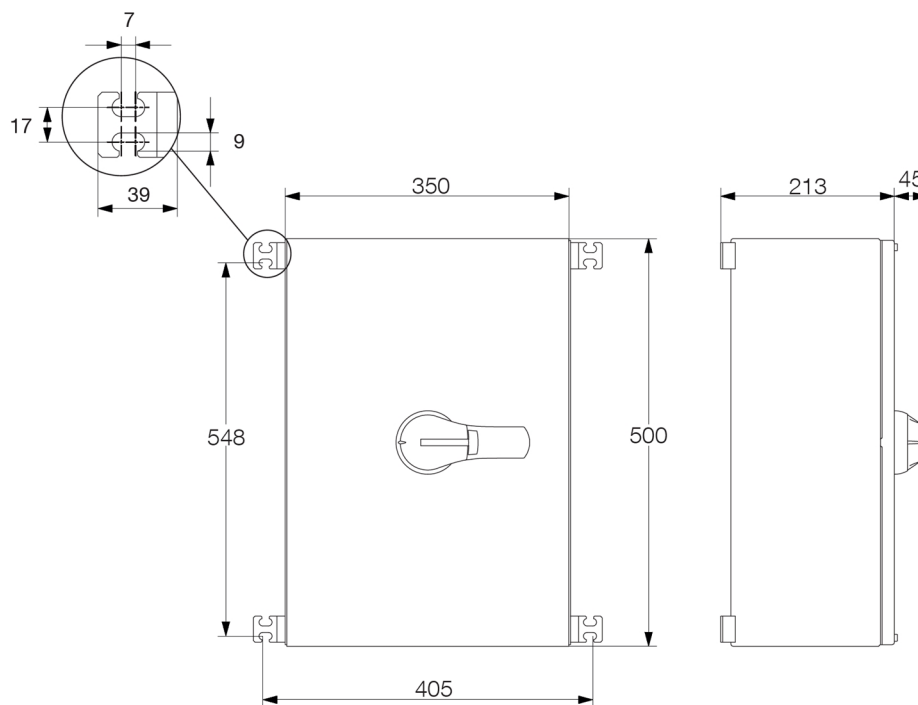
Power Distribution and Protection > Isolators and Transfer Switches > Enclosed Isolating Switches > Socomec ISO Enclosed Isolating Switch Disconnectors > Aluminium Enclosed ISO Switch Disconnectors > 3P Aluminium ISO Switch



| | |
|--------|--------|
| Height | 500 mm |
| Width | 350 mm |
| Depth | 213 mm |
| Weight | 1.5 kg |

REFERENCES

| | |
|---|---|
| IECEX Certificate | - |
| Supplier Declaration of Conformity: | Aluminium Declaration of Conformity |
| Installation Guide: | - |
| User Manual: | - |
| Manufacturer Datasheet: | - |
| Manufacturer Catalogue & Product Selection: | - |



Dimension Diagram