

Catalogue No: ISO380PYS

ISO ENCLOSED SWITCH 3P 80A YELLOW POLY RED HANDLE

Power Distribution and Protection > Isolators and Transfer Switches > Enclosed Isolating Switches > Socomec ISO Enclosed Isolating Switch Disconnectors > Polycarbonate Enclosed ISO Switch Disconnectors > 3P Polycarbonate ISO Switch



ISO Switch 80A, 3P Yellow colour Polycarbonate enclosure with Red handle

- IP65 rating combined with selection of polycarbonate, polyester, aluminium and stainless steel, has any environment, indoor or outdoor, covered
- Easy to install and operate
- Choice of larger enclosures for increased wiring space
- Door interlock when switch is in ON position preventing the unauthorized removal of the enclosure cover for added safety
- Switch centering system for an easy closing of the enclosure
- Up to 3 padlocks in OFF position for added security
- Snap-on accessories – couldn't be any easier or quicker to install

Representative Photo Only
(actual product may vary based on configuration selections)

SPECIFICATIONS

Component Type Power Distribution & Protection	Enclosed Isolating Switch
Number of Poles	3
In, Rated Current	80 A
Enclosure Type	PCE2 type
Ui, Rated Insulation Voltage	690 V (rms)
Uimp, Impulse Withstand Voltage	6 kV
Rated Frequency	50 / 60 Hz
Ie, Rated Operational Current, AC-21a, 415V	80 A@415V
Ie, Rated Operational Current, AC-21a, 690V	80 A@690V
Ie, Rated Operational Current, AC-23a, 415V	53 A@415V
Ie, Rated Operational Current, AC-23a, 690V	23.5 A@690V
kW Rating, AC-23a, 415V, 3ph	30 kW @415V
kW Rating, AC-23a, 690V, 3ph	25.5 kW @690V
Icw, Short Time Withstand Current, 300ms (rms)	2.52 kA, 300ms
Icw, short time withstand current, 1s (rms)	1.26 kA for 1s
Icw, Rated Short-Circuit Withstand Capacity 415V AC	10 A
Backup Fuse Current Rating	80 A
Padlockable	Yes, OFF Position Only
IP Rating	IP65
Material, Body / Housing	PC (Polycarbonate) material
Colour, Body / Housing	Yellow colour
Colour, Handle	Red colour
Neutral Pole (Optional)	21155009
Wire / Conductor Size (Min)	2.5 mm ² min
Wire / Conductor Size (Max)	25 mm ²
Mechanical Service Life	100000 cycles
Tightening Torque, Max	3 Nm
Operating Effort	1.5 Nm

Catalogue No: ISO380PYS

ISO ENCLOSED SWITCH 3P 80A YELLOW POLY RED HANDLE

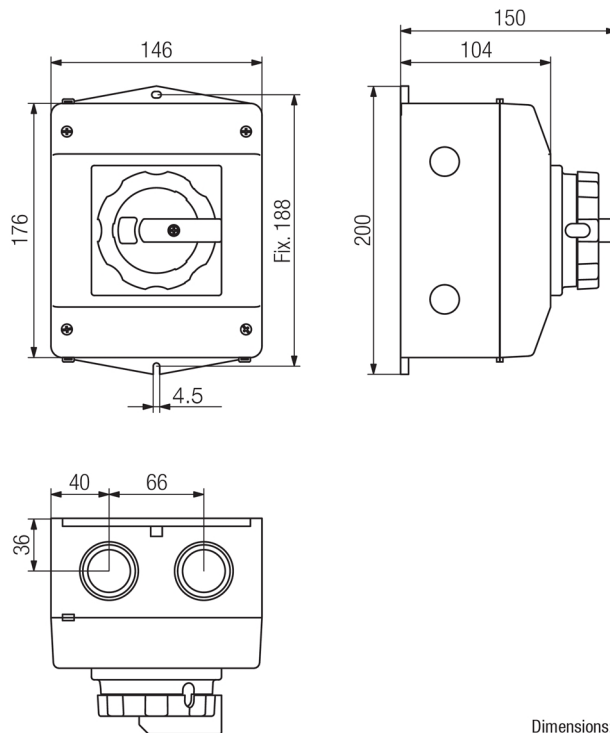
Power Distribution and Protection > Isolators and Transfer Switches > Enclosed Isolating Switches > Socomec ISO Enclosed Isolating Switch Disconnectors > Polycarbonate Enclosed ISO Switch Disconnectors > 3P Polycarbonate ISO Switch



Height	176 mm
Width	146 mm
Depth	104 mm
Weight	0.766 kg

REFERENCES

IECEX Certificate	-
Supplier Declaration of Conformity:	Polycarbonate Declaration of Conformity
Installation Guide:	-
User Manual:	-
Manufacturer Datasheet:	-
Manufacturer Catalogue & Product Selection:	-



Dimensions: mm

Dimension Diagram