



**ISO Switch 40A, 3P Yellow colour Polycarbonate enclosure with Red handle**

- IP65 rating combined with selection of polycarbonate, polyester, aluminium and stainless steel, has any environment, indoor or outdoor, covered
- Easy to install and operate
- Choice of larger enclosures for increased wiring space
- Door interlock when switch is in ON position preventing the unauthorized removal of the enclosure cover for added safety
- Switch centering system for an easy closing of the enclosure
- Up to 3 padlocks in OFF position for added security
- Snap-on accessories – couldn't be any easier or quicker to install

Representative Photo Only  
(actual product may vary based on configuration selections)

**SPECIFICATIONS**

Component Type Power Distribution & Protection	Enclosed Isolating Switch
Number of Poles	3
In, Rated Current	40 A
Enclosure Type	PCE1 type
Ui, Rated Insulation Voltage	690 V (rms)
Uimp, Impulse Withstand Voltage	6 kV
Rated Frequency	50 / 60 Hz
Ie, Rated Operational Current, AC-21a, 415V	40 A@415V
Ie, Rated Operational Current, AC-21a, 690V	40 A@690V
Ie, Rated Operational Current, AC-23a, 415V	40 A@415V
Ie, Rated Operational Current, AC-23a, 690V	18 A@690V
kW Rating, AC-23a, 415V, 3ph	20 kW @415V
kW Rating, AC-23a, 690V, 3ph	18 kW @690V
Icw, Short Time Withstand Current, 300ms (rms)	1.28 kA, 300ms
Icw, short time withstand current, 1s (rms)	0.64 kA for 1s
Icw, Rated Short-Circuit Withstand Capacity 415V AC	6 A
Backup Fuse Current Rating	40 A
Padlockable	Yes, OFF Position Only
IP Rating	IP65
Material, Body / Housing	PC (Polycarbonate) material
Colour, Body / Housing	Yellow colour
Colour, Handle	Red colour
Neutral Pole (Optional)	21155007
Wire / Conductor Size (Min)	2.5 mm <sup>2</sup> min
Wire / Conductor Size (Max)	10 mm <sup>2</sup>
Mechanical Service Life	100000 cycles
Tightening Torque, Max	3 Nm
Operating Effort	1 Nm

# Catalogue No: ISO340PYS

## ISO ENCLOSED SWITCH 3P 40A YELLOW POLY RED HANDLE

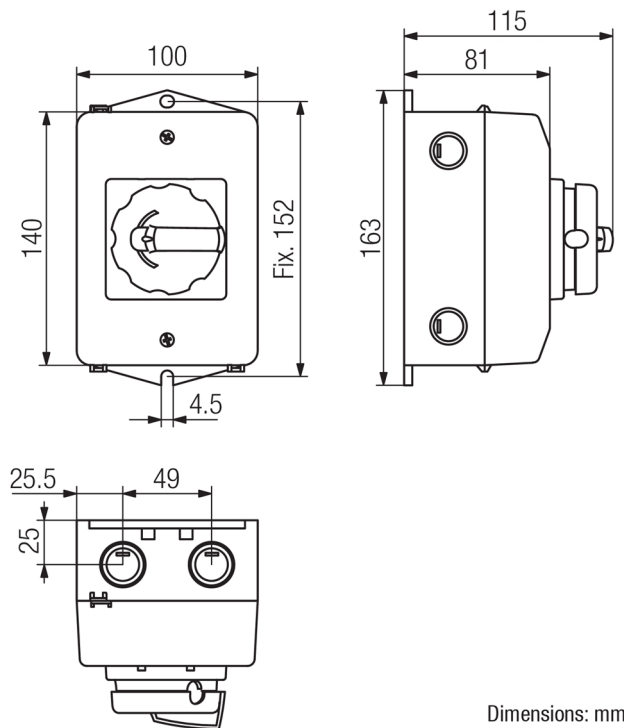
Power Distribution and Protection > Isolators and Transfer Switches > Enclosed Isolating Switches > Socomec ISO Enclosed Isolating Switch Disconnectors > Polycarbonate Enclosed ISO Switch Disconnectors > 3P Polycarbonate ISO Switch



Height	140 mm
Width	100 mm
Depth	81 mm
Weight	0.386 kg

### REFERENCES

IECEX Certificate	-
Supplier Declaration of Conformity:	<a href="#">Polycarbonate Declaration of Conformity</a>
Installation Guide:	-
User Manual:	-
Manufacturer Datasheet:	-
Manufacturer Catalogue & Product Selection:	-



Dimensions: mm

Dimension Diagram