

Catalogue No: ISO3100PGS

ISO ENCLOSED SWITCH 3P 100A GREY POLY BLUE HANDLE

Power Distribution and Protection > Isolators and Transfer Switches > Enclosed Isolating Switches > Socomec ISO Enclosed Isolating Switch Disconnectors > Polycarbonate Enclosed ISO Switch Disconnectors > 3P Polycarbonate ISO Switch



Representative Photo Only
(actual product may vary based on configuration selections)

ISO Switch 100A, 3P Grey colour Polycarbonate enclosure with Blue handle

- IP65 rating combined with selection of polycarbonate, polyester, aluminium and stainless steel, has any environment, indoor or outdoor, covered
- Easy to install and operate
- Choice of larger enclosures for increased wiring space
- Door interlock when switch is in ON position preventing the unauthorized removal of the enclosure cover for added safety
- Switch centering system for an easy closing of the enclosure
- Up to 3 padlocks in OFF position for added security
- Snap-on accessories – couldn't be any easier or quicker to install

SPECIFICATIONS

| | |
|--|-----------------------------|
| Product Series | Socomec |
| Component Type Power Distribution & Protection | Enclosed Isolating Switch |
| Number of Poles | 3 |
| In, Rated Current | 100 A |
| Enclosure Type | PCE2 type |
| Ui, Rated Insulation Voltage | 690 V (rms) |
| Uimp, Impulse Withstand Voltage | 6 kV |
| Rated Frequency | 50 / 60 Hz |
| Ie, Rated Operational Current, AC-21a, 415V | 100 A@415V |
| Ie, Rated Operational Current, AC-21a, 690V | 100 A@690V |
| Ie, Rated Operational Current, AC-22a, 415V | 100 A@415V |
| Ie, Rated Operational Current, AC-23a, 415V | 70 A@415V |
| Ie, Rated Operational Current, AC-23a, 690V | 34 A@690V |
| kW Rating, AC-3, 415V | 37 kW @415V |
| kW Rating, AC-3, 690V, 40°C | 34 kW @690V, 40°C |
| kW Rating, AC-23a, 415V, 3ph | 37 kW @415V |
| kW Rating, AC-23a, 690V, 3ph | 34 kW @690V |
| Current, Short Circuit Withstand With Backup Fuse, RMS | 20 kA |
| Icw, Short Time Withstand Current, 300ms (rms) | 4 kA, 300ms |
| Icw, short time withstand current, 1s (rms) | 2 kA for 1s |
| Icw, Rated Short-Circuit Withstand Capacity 415V AC | 20 A |
| Backup Fuse Current Rating | 100 A |
| Padlockable | Yes, OFF Position Only |
| IP Rating | IP65 |
| Material, Body / Housing | PC (Polycarbonate) material |
| Colour, Body / Housing | Grey colour |
| Colour, Handle | Blue colour |
| Neutral Pole (Optional) | 21155011 |

Catalogue No: ISO3100PGS

ISO ENCLOSED SWITCH 3P 100A GREY POLY BLUE HANDLE

Power Distribution and Protection > Isolators and Transfer Switches > Enclosed Isolating Switches > Socomec ISO Enclosed Isolating Switch Disconnectors > Polycarbonate Enclosed ISO Switch Disconnectors > 3P Polycarbonate ISO Switch

| | |
|-----------------------------|-----------------------|
| Wire / Conductor Size (Min) | 4 mm ² min |
| Wire / Conductor Size (Max) | 35 mm ² |
| Mechanical Service Life | 100000 cycles |
| Tightening Torque, Max | 3 Nm |
| Operating Effort | 1.5 Nm |
| Height | 176 mm |
| Width | 146 mm |
| Depth | 104 mm |
| Weight | 0.766 kg |

REFERENCES

IECEx Certificate -

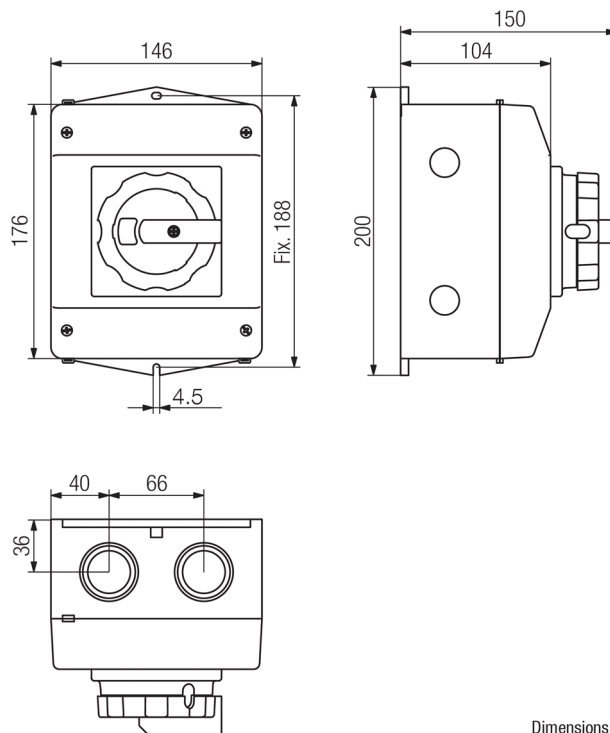
Supplier Declaration of Conformity: [Polycarbonate Declaration of Conformity](#)

Installation Guide: -

User Manual: -

Manufacturer Datasheet: -

Manufacturer Catalogue & Product Selection: -



Dimension Diagram