



Representative Photo Only
(actual product may vary based on configuration selections)

ISO Switch 80A, 3P Grey colour Aluminium enclosure with Blue handle

- IP65 rating combined with selection of polycarbonate, polyester, aluminium and stainless steel, has any environment, indoor or outdoor, covered
- Easy to install and operate
- Choice of larger enclosures for increased wiring space
- Door interlock when switch is in ON position preventing the unauthorized removal of the enclosure cover for added safety
- Switch centering system for an easy closing of the enclosure
- Up to 3 padlocks in OFF position for added security
- Snap-on accessories – couldn't be any easier or quicker to install

SPECIFICATIONS

Component Type	Power Distribution & Protection	Enclosed Isolating Switch
Number of Poles		3
In, Rated Current		80 A
Enclosure Type		ALE3 type
Rated Frequency		50 / 60 Hz
Ie, Rated Operational Current, AC-20a, 415V		80 A@415V
Ie, Rated Operational Current, AC-20a, 690V		80 A@690V
Ie, Rated Operational Current, AC-20b, 415V		80 A@415V
Ie, Rated Operational Current, AC-20b, 690V		80 A@690V
Ie, Rated Operational Current, AC-21a, 415V		80 A@415V
Ie, Rated Operational Current, AC-21a, 690V		80 A@690V
Ie, Rated Operational Current, AC-22a, 415V		80 A@415V
Ie, Rated Operational Current, AC-22a, 690V		63 A@690V
Ie, Rated Operational Current, AC-22b, 415V		80 A@415V
Ie, Rated Operational Current, AC-22b, 690V		80 A@690V
Ie, Rated Operational Current, AC-23a, 415V		80 A@415V
Ie, Rated Operational Current, AC-23a, 690V		80 A@690V
Ie, Rated Operational Current, AC-23b, 415V		80 A@415V
Ie, Rated Operational Current, AC-23b, 690V		80 A@690V
kW Rating, AC-23a, 500V, 3ph		37 kW @500V, 3ph
kW Rating, AC-23a, 690V, 3ph		37 kW @690V
Icw, Short Time Withstand Current, 300ms (rms)		3 kA, 300ms
Icw, short time withstand current, 1s (rms)		1.5 kA for 1s
Icw, Rated Short-Circuit Withstand Capacity 415V AC		9 A
Icn, Rated Short-Circuit Capacity AC-23a, 415V		80 A @415V
Icn, Rated Short-Circuit Capacity AC-23a, 690V		40 A @690V
Backup Fuse Current Rating		80 A
Padlockable		Yes, OFF Position Only

Catalogue No: ISO380MGS

ISO ENCLOSED SWITCH 3P 80A GREY ALUM BLUE HANDLE

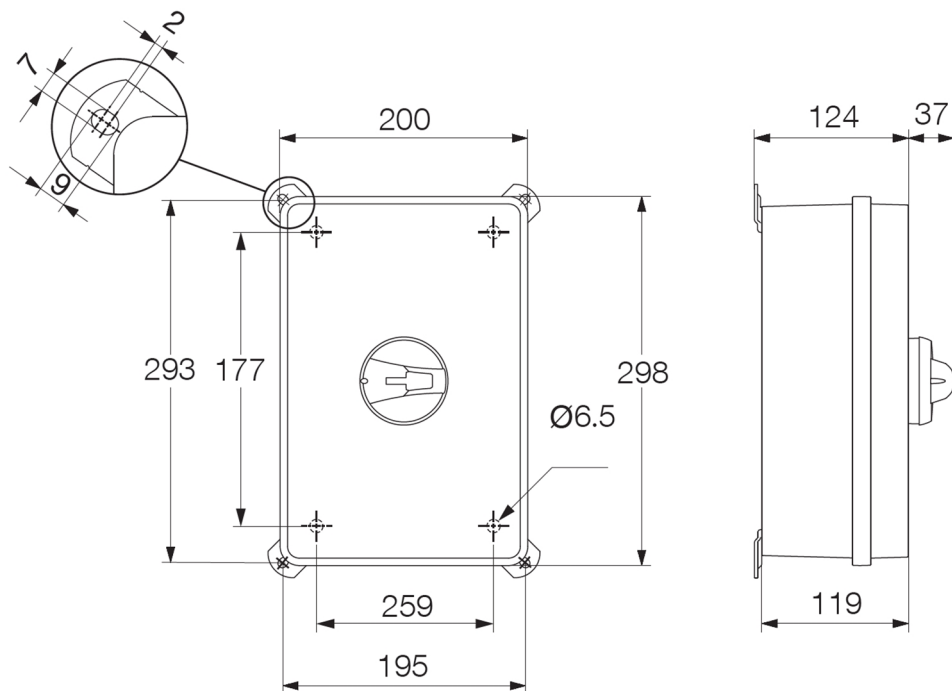
Power Distribution and Protection > Isolators and Transfer Switches > Enclosed Isolating Switches > Socomec ISO Enclosed Isolating Switch Disconnectors > Aluminium Enclosed ISO Switch Disconnectors > 3P Aluminium ISO Switch



IP Rating	IP65
Material, Body / Housing	Aluminium material
Colour, Body / Housing	Grey colour
Colour, Handle	Blue colour
Neutral Pole (Optional)	22005009
Wire / Conductor Size (Min)	2.5 mm ² min
Wire / Conductor Size (Max)	35 mm ²
Mechanical Service Life	100000 cycles
Tightening Torque, Max	3.85 Nm
Operating Effort	1.4 Nm
Height	298 mm
Width	200 mm
Depth	124 mm
Weight	0.27 kg

REFERENCES

IECEX Certificate	-
Supplier Declaration of Conformity:	Aluminium Declaration of Conformity
Installation Guide:	-
User Manual:	-
Manufacturer Datasheet:	-
Manufacturer Catalogue & Product Selection:	-



Dimension Diagram

Catalogue No: **ISO380MGS**

ISO ENCLOSED SWITCH 3P 80A GREY ALUM BLUE HANDLE

Power Distribution and Protection > Isolators and Transfer Switches > Enclosed Isolating Switches > Socomec ISO
Enclosed Isolating Switch Disconnectors > Aluminium Enclosed ISO Switch Disconnectors > 3P Aluminium ISO Switch

