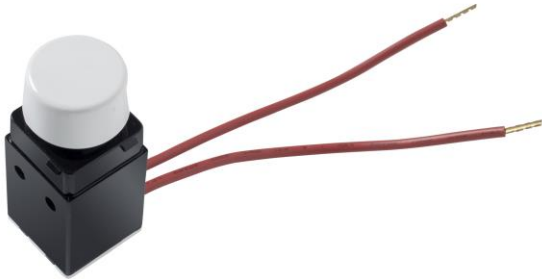


ROBUS®

LIGHTING CONTROLS

LOADPRO 350W LED ROTARY DIMMER

350W, IP20



PRODUCT INFORMATION DOCUMENT

CONSTRUCTION

- Polycarbonate housing
- Prewired 150mm PVC insulated cables with copper terminations

FEATURES

- Trailing edge electronic dimmer optimised for LED loads
- Min load of 5W
- Max LED load of 350W
- Combined dimmer and on/off switch with soft start and overload protection
- Compatible with ROBUS dimmable downlights. Compatibility lists available on the ROBUS website



WARRANTY



LIFETIME



IP RATING



OPERATING VOLTAGE



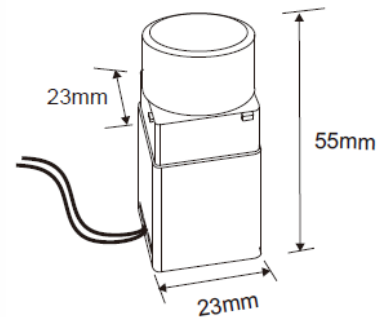
SAFETY CLASS



DIMMING

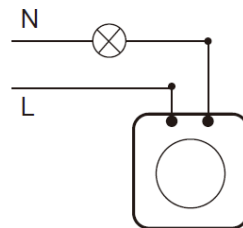


RLA350DTR-01	
Maximum LED Load (W):	350
Minimum LED Load (W):	5
IP:	20
Operation Temperature (°C):	-10 ≤ Ta ≤ +40
Dimensions LxWxH	23x23x56
Weight (kg):	0.06

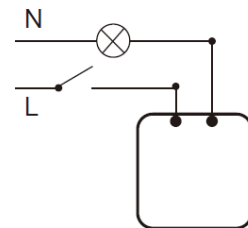


Product is certified to all the relevant standards.

Please contact our technical department for market specific compliances.



RLA350DTR-01 with ON/OFF function enabled



RLA350DTR-01 with ON/OFF function disabled

PLEASE NOTE: INFORMATION IN THIS DOCUMENT MAY BE SUBJECT TO CHANGE WITHOUT PRIOR NOTICE

IRE: TEL: +353 1 709 9000
 UK: TEL: 0800 973 220
 AUS: TEL: +61 7 3890 5444
 NZ: TEL: +64 03 668 5285

WEB: WWW.ROBUS.COM
 WEB: WWW.ROBUS.COM
 WEB: WWW.ROBUS.COM.AU
 WEB: WWW.ROBUSLED.CO.NZ

LED GROUP EUROPE · AUSTRALIA · NEW ZEALAND · ASIA · MIDDLE EAST · AFRICA