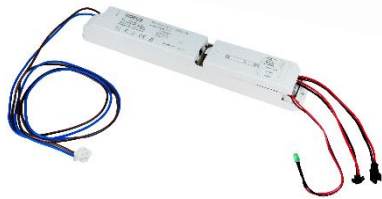


# ROBUS®

## INDUSTRIAL

HARBOUR LED  
IP65, CORROSION PROOF  
CCT3 SELECTABLE



Self-Test Emergency pack  
Control gear and battery



Fixing kit

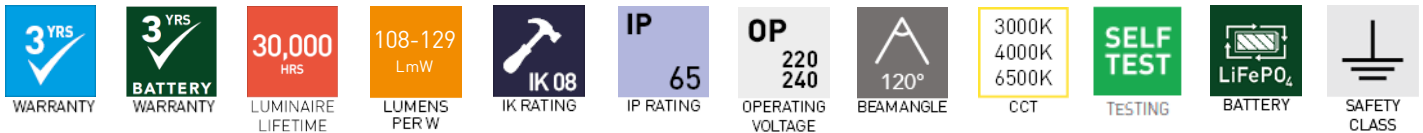
## PRODUCT INFORMATION DOCUMENT

### CONSTRUCTION

- Grey polycarbonate body
- Opal polycarbonate diffuser
- Polycarbonate clips and stainless steel mounting brackets
- Aluminum gear tray

### FEATURES

- Complete range covering lengths of 2ft, 4ft & 5ft with wattages of 10W, 20W, 40 & 55W meeting just about any requirement
- CCT3 Integrated switch allowing selection between 3000K, 4000K and 6500K
- IP65 construction with high impact rating of IK08 providing protection against dust and water and can be installed in areas where occasional knocks or scrapes may occur
- Easy emergency conversion using self-test, plug and play emergency pack (RHA2WEMSTA-PSU)



	RHA1006CCT3-24	RHA2006CCT3-24	RHA2012CCT3-24	RHA4012CCT3-24	RHA4012CCT3E-24	RHA5515CCT3-24
Comparable to:	1x18W T8	2x18W T8	1x36W T8	2x36W T8	2x36W T8	2x58W T8
Total Power (W):	9.8/9.5/10.0	19.0/18.4/19.2	19.5/18.8/19.8	37.1/38.9/37.6	38.7/ 37.6/ 39.4	54.7/52.7/55.6
Total Light Output (lm):	1110/1220/1160	2150/2370/2240	2100/2360/2180	4300/4800/4490	4280/4760/4460	6090/6800/6360
Emergency Light Output (lm):	180	270/280/280	290/300/290	300/310/310	300/ 310/ 310	290/300/300
Efficacy (lm/cctW):	114/129/117	113/129/117	108/125/110	110/126/113	110/127/113	111/129/114
IP:	65	65	65	65	65	65
Operation Temperature (°C):	-20 ≤ Ta ≤ +40	-20 ≤ Ta ≤ +40	-20 ≤ Ta ≤ +40	-20 ≤ Ta ≤ +40	-20 ≤ Ta ≤ +40	-20 ≤ Ta ≤ +40
Lux at 1m (lux):	280/300/290	610/670/630	530/590/550	1200/1320/1240	1200/ 1330/ 1240	1770/1970/1830
Emergency Lux at 1m (lux):	70/90/80	70/80/80	70/80/70	80/80/80	80/80/80	80/80/80
Inrush Current:	14A/20ns	10.4A/56ns	19.2A/56us	18A/15ns	18A/15ns	19.2A/5.6ns
CCT (K):	3000/4000/6500	3000/4000/6500	3000/4000/6500	3000/4000/6500	3000/4000/6500	3000/4000/6500
CRI:	80	80	80	80	80	80
RG Value:	0	0	0	0	0	0
Rated Life to L70B50 (Hrs):	>54000	>54000	>54000	>54000	>54000	>54000
Dimensions LxWxH (mm):	650x72x70	650x117x70	1250x72x70	1250x117x70	1250x117x70	1550x117x70
Weight (kg):	0.60	0.9	1.1	1.55	1.75	1.9

### ACCESSORIES:

**RHA2WEMSTA-PSU** Self-test E-Pack with LiFePO4 Battery

Emergency pack is compatible with:

- RHA1006CCT3-24
- RHA2006CCT3-24
- RHA2012CCT3-24
- RHA4012CCT3-24
- RHA5515CCT3-24

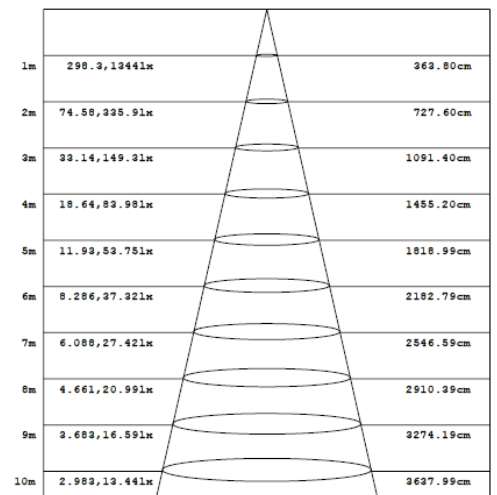
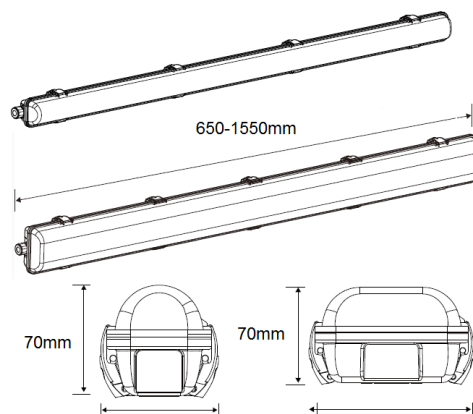


Diagram for RHA4012CCT3-24 in 4,000K. Other diagrams available on request

Product is certified to all the relevant standards.

Please contact our technical department for market specific compliances.

PLEASE NOTE: INFORMATION IN THIS DOCUMENT MAY BE SUBJECT TO CHANGE WITHOUT PRIOR NOTICE

IRE: TEL: +353 1 709 9000  
UK: TEL: 0800 973 220  
AUS: TEL: +61 7 3890 5444  
NZ: TEL: +64 03 668 5285

WEB: ROBUS.COM  
WEB: ROBUS.COM  
WEB: ROBUS.COM.AU  
WEB: ROBUSLED.CO.NZ

LED GROUP EUROPE · AUSTRALIA · NEW ZEALAND · ASIA · MIDDLE EAST · AFRICA