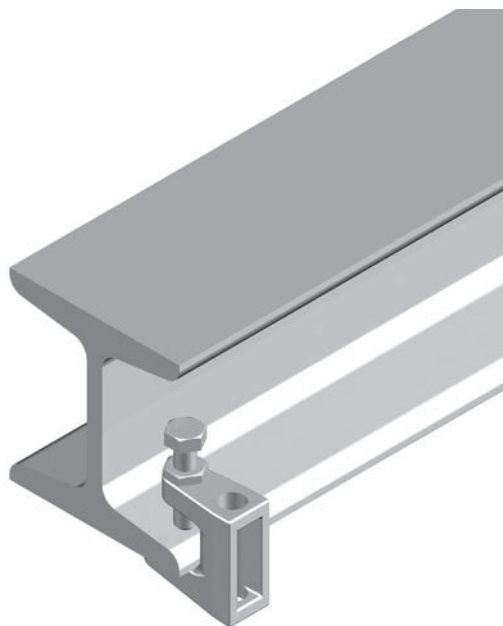


Suits M10 threaded rod.

BC10H

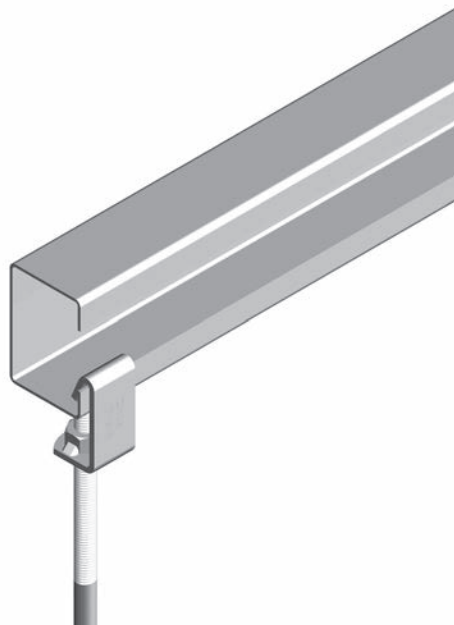
▶ Wt: 0.18 kg



Suits M12 threaded rod.

BC12H

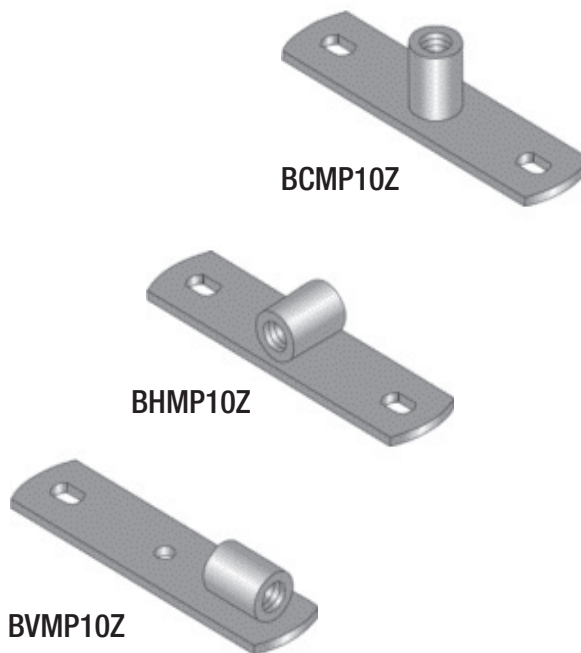
▶ Wt: 0.25 kg



Available in zinc plated finish only.
Suits M10 threaded rod only.

PC10Z

▶ Wt: 0.05 kg



All available in zinc plated finish only.
Suits M10 threaded rod only.

BVMP10Z, BHMP10Z and BCMP10Z

CHANNELS	1
NUTS & BOLTS	2
CANTILEVER BRACKETS	3
CHANNEL FITTINGS	4
LADDERTRAYS	5
CABLE MESH	6
STEEL LADDERS	7
ALUMINIUM LADDERS	8
FIRE RATED	9
COVERS	10
HYGROUND	11