

# Catalogue No: **CPT-PSM1-40-230IR**

## SPD PSM TYPE 2 1PH L-N I<sub>max</sub> 40kA 240V AC

Power Distribution and Protection > Switchboard Monitoring > Surge Protection > Cirprotec Electrical Network Surge Diverters > IEC Type 2 > PSM Surge Diverters



Representative Photo Only  
(actual product may vary based on configuration selections)

### Surge Protection Device L-N Type 2 40kA

PSM is the range of devices for discharging induced transient overvoltages (Type 2 / Class II), in accordance with IEC 61643-11

- DIN rail plug-in format
- Suitable for the second stage of protection in supply distribution panels in which Type 1 protection devices are installed, or for the first stage of protection in residential, commercial or other applications not exposed to direct strikes and with no external lightning protection system
- High discharge capacity with an 8/20  $\mu\text{s}$  waveform. I<sub>max</sub>: 40 kA or 30 kA
- Remote and visual indication of life status of the protection device
- Reversible chassis to allow cable entry from above or below. Mechanically polarised cartridges depending on the network voltage, to avoid possible cartridge replacement errors
- Biconnect - two types of terminal: for rigid or flexible cable and for fork type comb busbar

#### SPECIFICATIONS

Product Series	PSM
Component Type Surge Protection	Electrical Network Diverter
Number of Poles	1
Poles	1P + N
Number of DIN Modules	1
Un, Nominal Voltage, AC, L-N/PE	230 V AC
Uc, Continuous Operating Voltage, AC, Max	275 V AC
In, Discharge Current, (8/20) L-N, Nom	20 kA
I <sub>max</sub> , Discharge Current, (8/20) L-N, Max	40 kA
I <sub>cc</sub> , Current, Short Circuit Withstand	25 kA
Recommended Fuse Current Rating	125 A
Fuse Characteristic Type(s)	gL/gG
Protection Classification Standard	IEC 61643-1 EN 61643-11
Up, Voltage Protection Level	1.3 kV @I <sub>n</sub>
Rated Frequency	50 / 60 Hz
Connection Mode	Parallel
Protection Modes	L-N modes
Protection class	2
Replaceable Modules	Yes Y/N
Visual Indication	Yes Y/N
Indicator Type	Red / Green Flag
Remote Monitoring	Yes Y/N
Monitoring Contact Configuration	1 CO Contact
Mounting	DIN-35 Rail Mount
Wire / Conductor Size, Flex Cable, Min	6 mm <sup>2</sup> min

# Catalogue No: **CPT-PSM1-40-230IR**

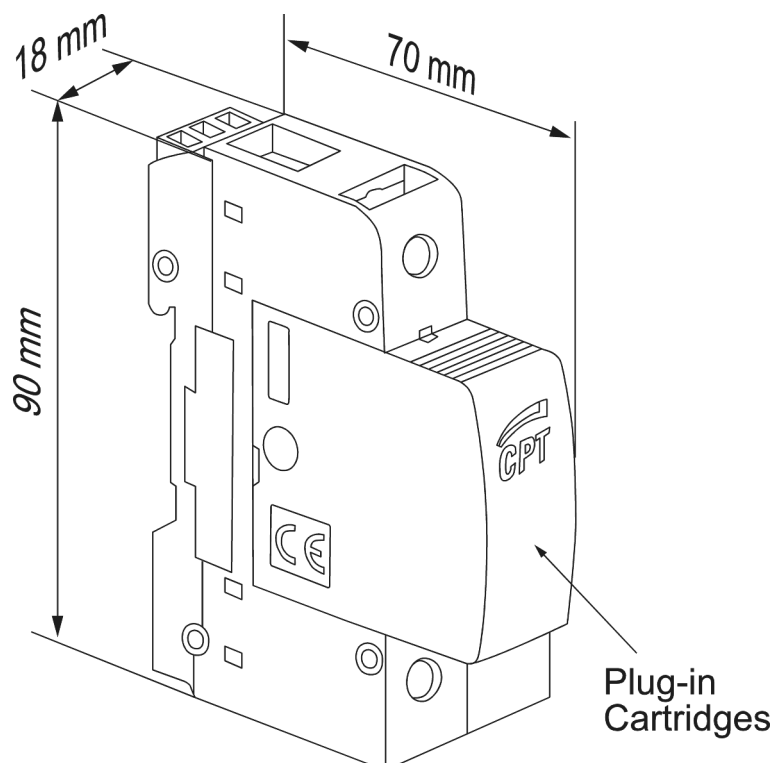
## SPD PSM TYPE 2 1PH L-N I<sub>max</sub> 40kA 240V AC

Power Distribution and Protection > Switchboard Monitoring > Surge Protection > Cirprotec Electrical Network Surge Diverters > IEC Type 2 > PSM Surge Diverters

Wire / Conductor Size, Flex Cable, Max	25 mm <sup>2</sup> max
Wire / Conductor Size, Rigid Cable, Min	6 mm <sup>2</sup> min
Wire / Conductor Size, Rigid Cable, Max	35 mm <sup>2</sup> max
Dynamic Thermal Disconnection	Yes
Colour, Body / Housing	Light Grey (RAL 7035) colour
IP Rating	IP20
tA, Response time (L-N)	25 ns
Tightening Torque, Nominal	4 Nm
Height	90 mm
Width	18 mm
Depth	70 mm
Weight	0.126 kg
Operating Temperature, Min	-40 °C min
Operating Temperature, Max	80 °C max
Certifications	CE RCM

### REFERENCES

IECEX Certificate	-
Supplier Declaration of Conformity:	-
Installation Guide:	<a href="#">CPTPSM140230IR_Installation Instructions</a>
User Manual:	-
Manufacturer Datasheet:	<a href="#">CPTPSM140230IR_Manufacturer Datasheet</a>
Manufacturer Catalogue & Product Selection:	<a href="#">CPTPSM140230IR_Manufacturer Product Selection Guide</a>



# Catalogue No: **CPT-PSM1-40-230IR**

## SPD PSM TYPE 2 1PH L-N I<sub>max</sub> 40kA 240V AC

Power Distribution and Protection > Switchboard Monitoring > Surge Protection > Cirprotec Electrical Network Surge Diverters > IEC Type 2 > PSM Surge Diverters



Dimension Diagram

