



LED SECURITY LIGHTS

Twin 24W Security Spotlights IP54 with sensor

CONDOR TWIN WITH SENSOR



Features

- High quality die-cast aluminium housing and glass diffuser
- Easy to install with Phillips head screws
- Three selectable colour temperatures
- Up to 30% higher lumen output¹
- Inbuilt relay allows switching and control of other loads
- Highly reliable 240V sensor
- Manual override
- Adjustable sensitivity



Colour temperature

Tri-Colour (3000K, 4000K & 5000K)



IP54 Rating

Improved rating



Quality

Improved design for high reliability



Relay output

230V 300W

Product datasheet

Description

Twin 24W Security Spotlight IP54 with sensor.

Finish

 Black (BLK)

 White (WH)

Product specification

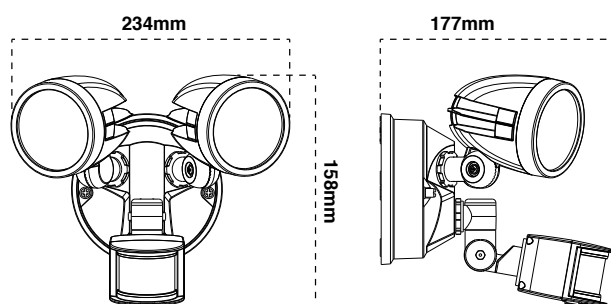
Voltage	230V~ 50Hz
Power consumption	24W
Light colour options	Tri-Colour
Lumen output	2200lm / 2450lm / 2400lm
Colour temperature	3000K / 4000K / 5000K
Colour rendering index	>80
Beam Angle	90°
Dimmable	No
Warranty	3 years
Working temperature	-10°C – 40°C
IP Rating	IP54
Electrical classification	Class I
Sensor specifications	
Relay rating	230V~ 300W
Detection angle	120°
Detection distance	Max 10m (mounted at 2.5m)
Adjustable time	5 sec to 12 min
Lux	10 - 1000 lx

Product range

SKU	Code	Finish
13960	Condor Single	White
13959	Condor Single	Black
13962	Condor Single w/sensor	White
13961	Condor Single w/sensor	Black
13964	Condor Twin	White
13963	Condor Twin	Black
13966	Condor Twin w/sensor	White
13965	Condor Twin w/sensor	Black

Dimensions

Width	Height	Depth
234mm	158mm	177mm



¹Compared to previous Atom model AT9130.