

atomⁱ

LED SECURITY LIGHTS

Single 12W Security Spotlights IP65

CONDOR SINGLE



Features

- High quality die-cast aluminium housing and glass diffuser
- Easy to install with Phillips head screws
- Three selectable colour temperatures
- Up to 30% higher lumen output¹
- Weatherproof (IP65)



Colour temperature

Tri-Colour (3000K, 4000K & 5000K)



IP65 Rating

Improved rating



Quality

Improved design for high reliability



Warranty

3 Year warranty

Product datasheet

Description

Single 12W Security Spotlight IP65.

Finish



Black (BLK)



White (WH)

Product specification

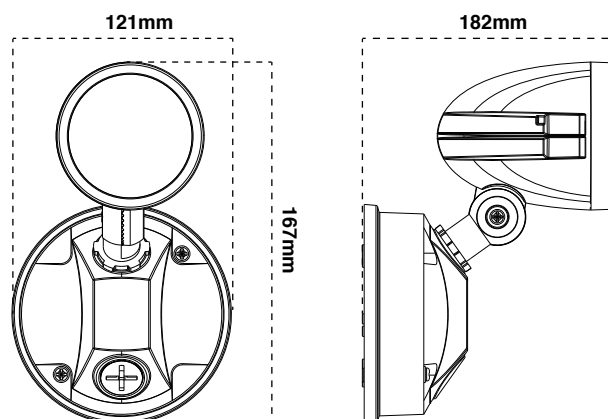
Voltage	230V~ 50Hz
Power consumption	12W
Light colour options	Tri-Colour
Lumen output	1100lm / 1300lm / 1250lm
Colour temperature	3000K / 4000K / 5000K
Colour rendering index	>80
Beam Angle	90°
Dimmable	No
Warranty	3 years
Working temperature	-10°C – 40°C
IP Rating	IP65
Electrical classification	Class I

Product range

SKU	Code	Finish
13960	Condor Single	White
13959	Condor Single	Black
13962	Condor Single w/sensor	White
13961	Condor Single w/sensor	Black
13964	Condor Twin	White
13963	Condor Twin	Black
13966	Condor Twin w/sensor	White
13965	Condor Twin w/sensor	Black

Dimensions

Width	Height	Depth
121mm	167mm	182mm



¹Compared to previous Atom model AT9130.