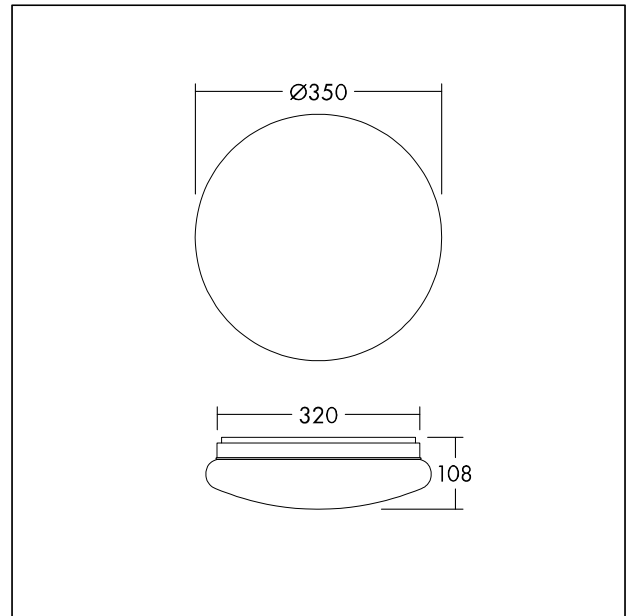


Surface mounted luminaire

Circular IP44 LED oyster with switchable colour temperature: choose between warm white (3000K), cool white (4000K) and daylight (5700K) to suit application use. Quality PMMA diffuser for an even light distribution. Reliable integrated LED technology, ensuring maintenance-free installation and a long lifetime. Direct replacement for 2x 18W CFL and more than 55% energy savings compared with luminaires with CFL lamps. Piano key terminal for wires up to 2.5mm². Quick and easy installation, loop-in loop-out possible. Phase dimmable driver suitable with most trailing edge and universal dimmers. Flicker free and DC compatible. Backplate: steel, white finish. Diffuser: opal, PMMA. Weight: 0.65 kg



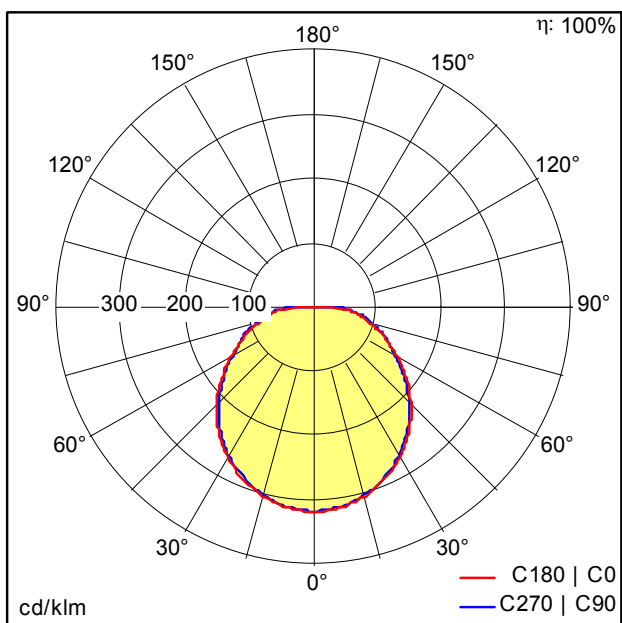
TE_LENA_F_pers_320.jpg



TE_LENA_M_320.wmf

Light Distribution

STD - standard



TE_LENA_VAR_1400_320_DIM_4000K.ltd

- Light Source: LED
- Luminaire luminous flux*: 1401 lm
- Luminaire efficacy*: 100 lm/W
- Colour Rendering Index min.: 80
- Correlated colour temperature: 3000-5700 Kelvin
- Chromaticity tolerance (initial MacAdam): 5
- Rated median useful life*:
L80 50000h at 25°C
- Ballast: 1x LED_Con
- Luminaire input power*: 14 W Power factor = 0.9
- Dimming: DCG dimmable to 10%

All values marked with an * are rated values. Luminous flux and connected electrical load are subject to an initial tolerance of +/- 10%. Unless stated otherwise, the values apply to an ambient temperature of 25°C.