

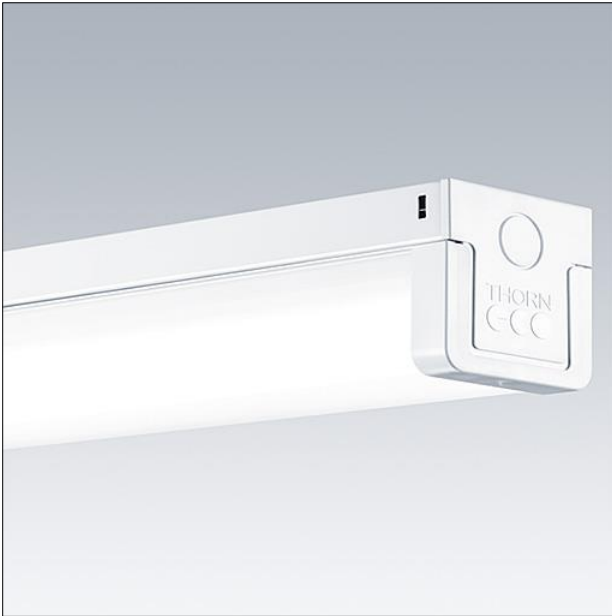
Surface mounted LED luminaire

1200mm long batten with reliable integrated LED technology, ensuring maintenance-free installation and a long lifetime. Switchable light colour: choose between warm white (3000 K), cool white (4000 K) or daylight (5700 K) to suit the application. High quality opal diffuser ensures homogeneous illumination. High efficacy of 110 lm/W, save up to 50% energy compared with T5 fluorescent battens. Direct replacement for conventional battens in terms of light performance and length. Dimensions: 1200x66x69 mm.

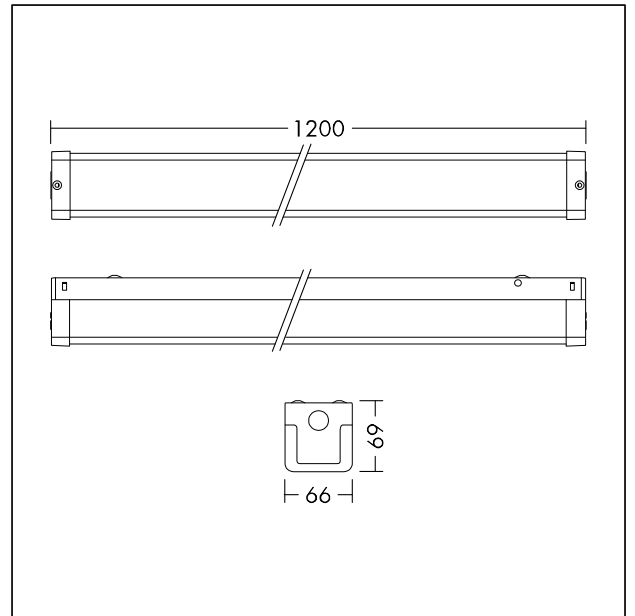
Diffuser: PC, opal white

End caps: PC, white

Weight: 1.60 kg



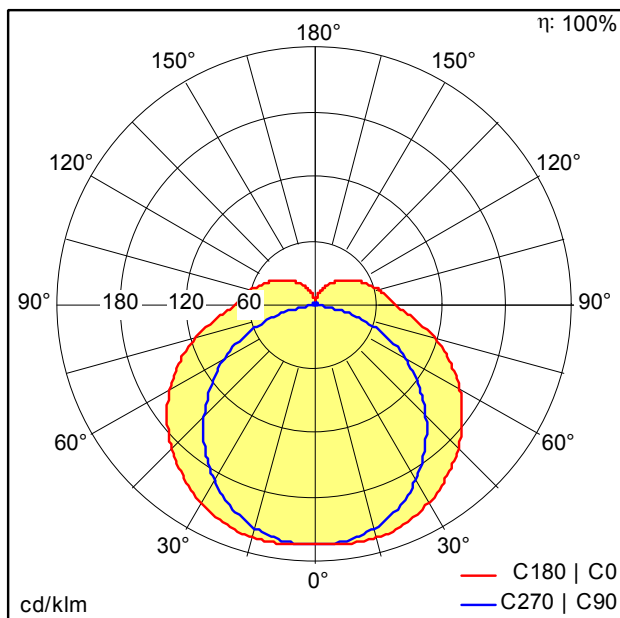
TE_BARRY_F_1200_PERSP.jpg



TE_BARRY_M_1200.wmf

Light Distribution

STD - standard



TE_BARRY_VAR_LED_1200_4000K.idt

- Light Source: LED
- Luminaire luminous flux*: 4400 lm
- Luminaire efficacy*: 110 lm/W
- Colour Rendering Index min.: 80
- Correlated colour temperature: 3000-5700 Kelvin
- Chromaticity tolerance (initial MacAdam): 5
- Rated median useful life*:
L80 50000h at 25°C
- Ballast: 1x LED_Con
- Luminaire input power*: 40 W Power factor = 0.9
- Dimming: Fixed output

All values marked with an * are rated values. Luminous flux and connected electrical load are subject to an initial tolerance of +/- 10%. Unless stated otherwise, the values apply to an ambient temperature of 25°C.