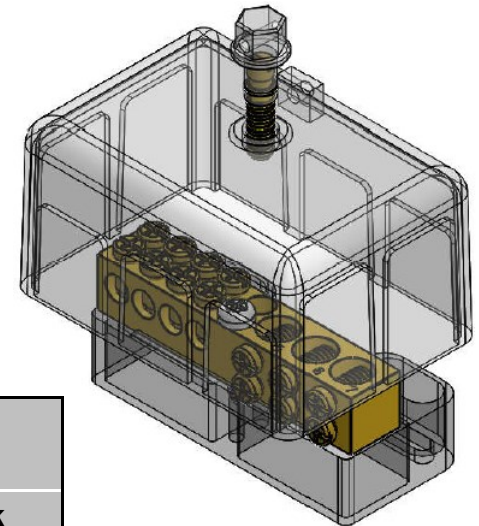


SPB-170376 & SPB-170547 - 100 Amp Covered Link



- * SPB-170376 (Red Cover)
- * SPB-170547 (Black Cover)
- * Brass Rated to 100 Amps
- * All plastics are 960° Glow Wire Compliant
- * All plastics are UL94-VO rated
- * ROHS Compliant
- * All bars mounted on clear base
- * Compliant to AS/NZS 5112:2015



Part			Max. Copper Cable		Front Wired	Back Wired
	Neutral Black	Active Red	16mm ²	25mm ²		
SPB-170376	✓		4		✓	✓
				3		
SPB-170547		✓	4		✓	✓
				3		

