

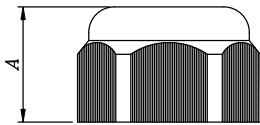
PREMIUM NYLON GLANDS WITH SOLAR INSERTS

The CABAC Premium Nylon Glands with Solar Inserts are high-quality metric threaded glands made from Polyamide 6.6. These glands feature a camera shutter cable sealing, rated IP68, providing exceptional protection against moisture and dust. The nylon material is halogen-free and UV-stabilized for durability, making it suitable for outdoor applications.

These glands come complete with a locknut and EPDM rubber washer, ensuring a secure and watertight seal. The strain relief blades built into the glands protect the cable and offer reliable performance.



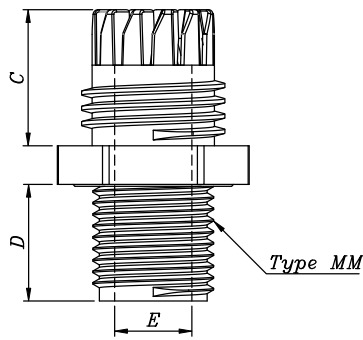
CAP



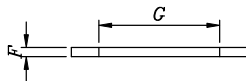
MULTI HOLES INSERT



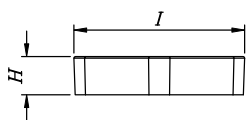
BODY



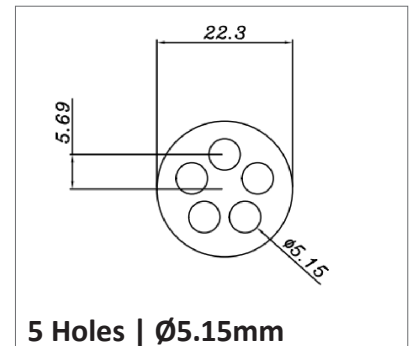
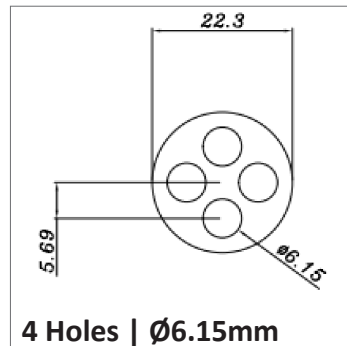
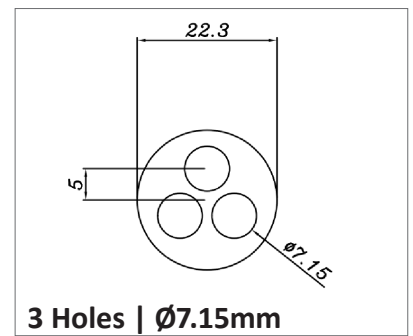
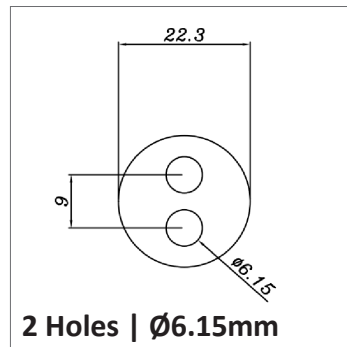
WASHER



NUT



B. SOLAR (MULTI-HOLE) INSERTS



TYPE MM	A	C	D	E	F	G	H	I
M25*1.5	22.6±1	23.0±1.5	15.0±1.5	18.5±0.5	1.2±0.3	25.2±0.8	6±0.5	33.±1.5

PART No.	DESCRIPTION	INFORMATION	UOM	QTY PER
GN25SO-2-6MM	Premium Nylon Gland 9-18mm With Solar Insert 2X6mm	EPDM seal two holes diameter 6mm	Bag	5
GN25SO-3-7MM	Premium Nylon Gland 9-18mm With Solar Insert 3X7mm	EPDM seal three holes diameter 7mm	Bag	5
GN25SO-4-6MM	Premium Nylon Gland 9-18mm With Solar Insert 4X6mm	EPDM seal four holes diameter 6mm	Bag	5
GN25SO-4-6MM	Premium Nylon Gland 9-18mm With Solar Insert 4X6mm	EPDM seal four holes diameter 6mm	Bag	5

In support of our policy of continuous product improvement we reserve the right to change materials and specifications without notice. Drawings, where used, are not to scale. All dimensions are in millimetres and sizes given are approximate. Where possible, technical MSDS data sheets are made available on the website. All products should be installed and used in accordance with manufacturer's instructions provided. Warning: products may be the subject of registered designs and patents. Refer to website for terms and conditions on warranty.

PREMIUM NYLON GLANDS WITH SOLAR INSERTS

SOLAR INSERTS

The GN25 Solar Inserts are designed for multiple round cable installations inside GN25 cable glands. They are commonly used with solar cables and provide an extra layer of protection against moisture and water ingress.



PART No.	DESCRIPTION	INFORMATION	UOM	QTY PER
GN25SI-2-6MM	GN25 Solar Insert 2 Holes - 6mm	EPDM seal two holes diameter 6mm	Bag	10
GN25SI-3-7MM	GN25 Solar Insert 3 Holes - 7mm	EPDM seal three holes diameter 7mm	Bag	10
GN25SI-4-6MM	GN25 Solar Insert 4 Holes - 6mm	EPDM seal four holes diameter 6mm	Bag	10
GN25SI-5-5MM	GN25 Solar Insert 5 Holes - 5mm	EPDM seal five holes diameter 5mm	Bag	10

HOLE SEAL FOR SOLAR INSERTS

The Hole Seal for Solar Inserts is specifically designed to seal unused cable holes in the GN25 Solar Inserts, ensuring that no moisture or water can penetrate the openings.



PART No.	DESCRIPTION	INFORMATION	UOM	QTY PER
GN25SC-6MM	GN25 Solar Insert Hole Seal 6mm	EPDM Seal diameter 6mm	Bag	10

TECHNICAL DATA

PREMIUM NYLON GLANDS

- Material: Polyamide 6.6
- Cable Sealing: Camera shutter principle, IP68 rated
- Resistance: Medium resistance to vegetable oils and Benzol
- Compliance and Standards: DIN VDE 0619, IP68 5 bar
- Max Torque: Cap - 8.5Nm; Nut - 7.91Nm
- Plastic Deformation Temperature: 200 degrees Celsius
- Volume Resistivity: 1×10^{12} ohm cm
- Tensile Strength: 110 N/mm² working, 2,240 N/mm² ultimate
- Density: 1.35 g/cm³
- Breakdown Voltage: 60 kV/mm
- Operating Temperature: -40 to +100 degrees Celsius

SOLAR INSERTS AND HOLE SEAL FOR SOLAR INSERTS

- Material: EPDM

In support of our policy of continuous product improvement we reserve the right to change materials and specifications without notice. Drawings, where used, are not to scale. All dimensions are in millimetres and sizes given are approximate. Where possible, technical MSDS data sheets are made available on the website. All products should be installed and used in accordance with manufacturer's instructions provided. Warning: products may be the subject of registered designs and patents. Refer to website for terms and conditions on warranty.