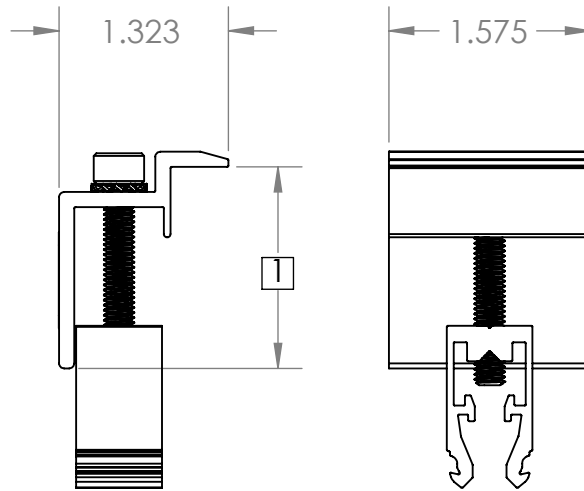


SCALE 1:1



ITEM NO.	DESCRIPTION	QTY.
1	QCLICK, 17MM, AL, MILL	1
2	FIXED END CLAMP, QRAIL, 40MM, X 40MM, AL, MILL	1
3	CAP SCREW, SOCKET HEAD, M6 X 1.0 X 40MM, DIN 912, A2-70 SS	1
4	WASHER, STAR, M6, 18-8 SS	1
5	STICKER, ETL, QRAIL, END CLAMP	1

TABLE A		
MILL PART #	BLACK PART #	MODULE SIZE
QMR-FEC31	QMR-FEC31 B	31MM
QMR-FEC32	QMR-FEC32 B	32MM
QMR-FEC33	QMR-FEC33 B	33MM
QMR-FEC35	QMR-FEC35 B	35MM
QMR-FEC38	QMR-FEC38 B	38MM
QMR-FEC40	QMR-FEC40 B	40MM
QMR-FEC42	QMR-FEC42 B	42MM
QMR-FEC45	QMR-FEC45 B	45MM
QMR-FEC46	QMR-FEC46 B	46MM
QMR-FEC50	QMR-FEC50 B	50MM

NOTES:

- 1 SEE TABLE A FOR AVAILABLE SIZES
- 2. ALL VERSIONS AVAILABLE IN MILL FINISH, AND BLACK FINISH

Quick Mount PV[®]

TITLE:
QMR-FEC: FIXED END CLAMP, QRAIL

UNLESS OTHERWISE SPECIFIED: DIMENSIONS ARE IN INCHES TOLERANCES: FRACTIONAL ± 1/8 TWO PLACE DECIMAL ±.19 THREE PLACE DECIMAL ±.094	SIZE A	DRAWN BY: RAD	REV 2
	SCALE 2: 3	DATE: 4/27/2018	WEIGHT: 0.10

SHEET 1 OF 1