



SURFACE SOCKET ESS106

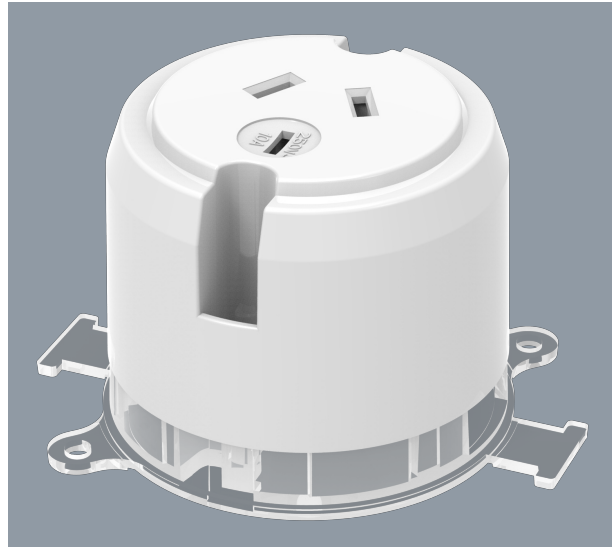
Compact designed surface socket, 250V / 10A rated, compliant to AS/NZS3112:2017

Application

Australian approved electrical accessory, saving installation time and money

Design Specifications

- Standard surface socket with transparent mounting plate
- 250V 10A surface socket rated
- Colour white
- Designed for 1mm - 2.5mm solid or stranded Flat TPS cable, for installation by a qualified electrical installer

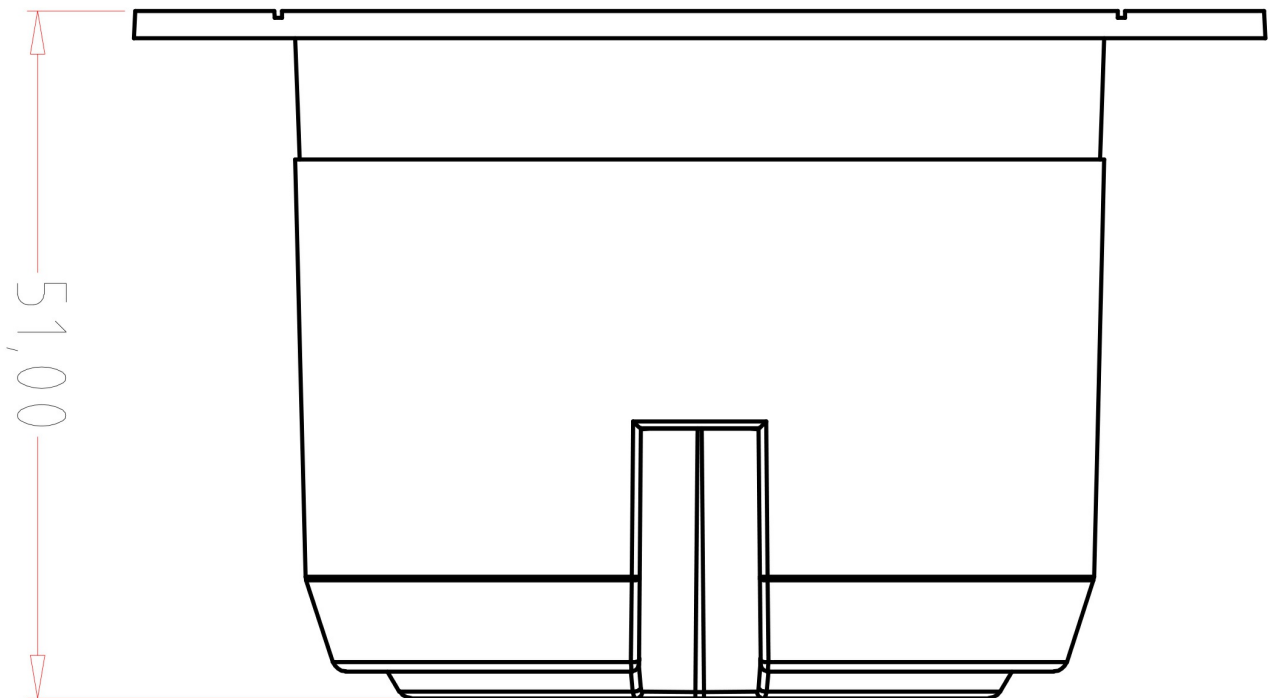
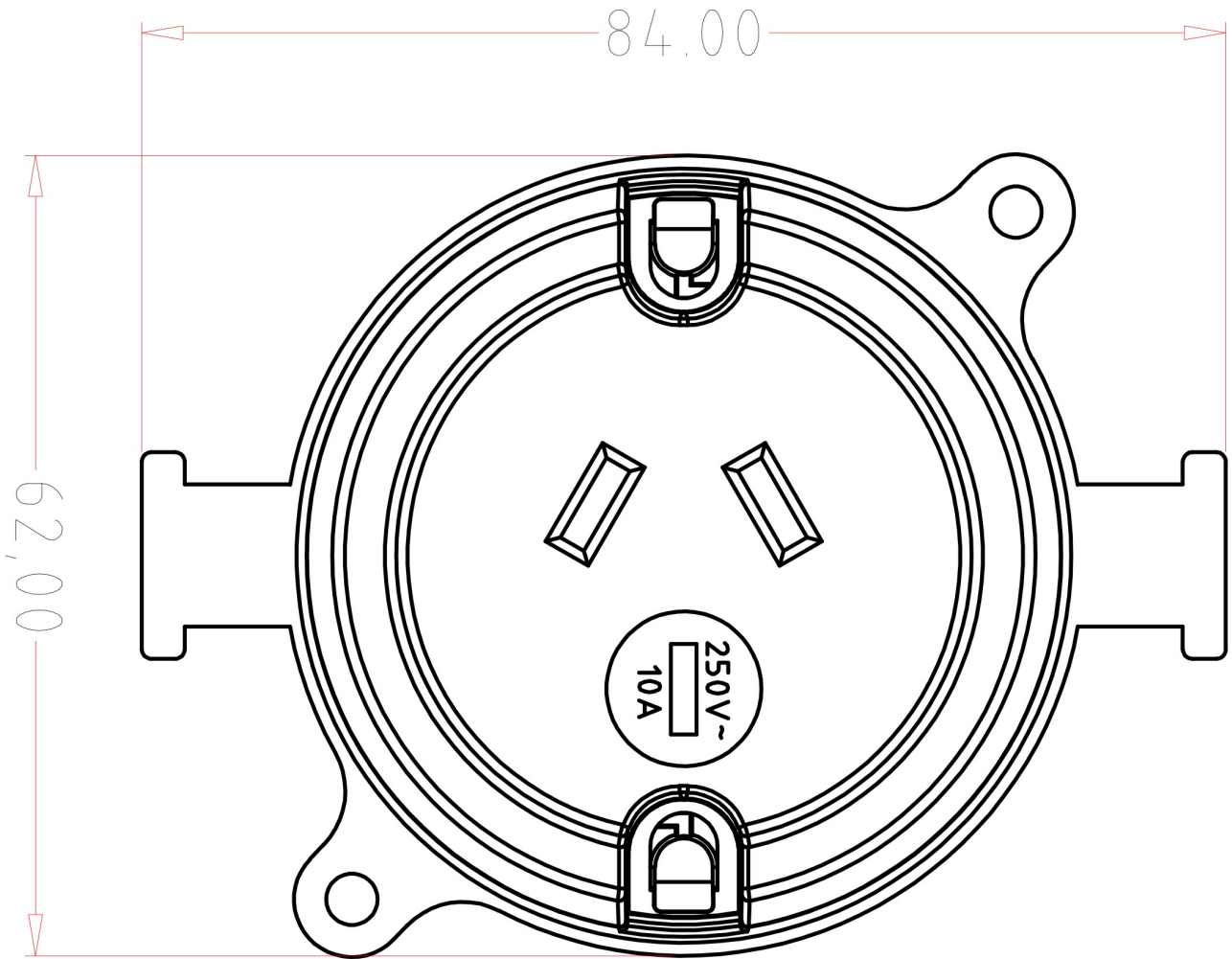


Technical Specification

Model No.	Description	Input Voltage (V/AC)	Dim (mm)	Body Colour
ESS106	SURFACE SOCKET MOUNTING PLATE	250	62(W) x 51(H)	WHITE

Due to continued product and technology enhancements, data sourced from sal.net.au shall not form part of any contract and or technical performance guarantee unless expressly confirmed in writing by SAL at the time of order. Products are sold in accordance with [SAL Terms and Conditions of sale](#) and all images shown are for illustration purposes only and may vary from the actual colour or finish. Unless specifically stated, all IP ratings nominated for Interior products are from "below the ceiling".

Dimensions





Product Images

